



Replacement Parts List Prices

303-102

VL Pumps

SUPERSEDES: NEW

EFFECTIVE: FEBRUARY 15, 1992

I.D. NO.	ITEM #1 CASING	LIST PRICE
44	950-1043RP	130.00
45	950-1044RP	168.00
46	950-1045RP	210.00
47	950-1046RP	221.00
48	950-1047RP	157.00
49	950-1048RP	191.00
50	950-1049RP	238.00
51	950-1050RP	255.00
52	950-1051RP	281.00
53	950-1052RP	328.00
54	950-1053RP	260.00
55	950-1054RP	298.00
59	950-1058RP	557.00
60	950-1059RP	436.00
61	950-1060RP	555.00

I.D. NO.	ITEMS #2 & 25 NUT	LIST PRICE
	Hardware	

I.D. NO.	ITEM #3 NPT PLUG	LIST PRICE
	Hardware	

I.D. NO.	ITEM #4 GASKET	LIST PRICE
1	950-021RP (6")	4.50
2	950-022RP (7")	5.00
3	950-023RP (8")	6.00
4	950-119RP (10")	6.50
5	950-077RP (13")	6.75

I.D. NO.	ITEM #5 IMPELLER	LIST PRICE (C.I.)	LIST PRICE (BRZ.)
1	950-1061RP	49.00	189.00
2	950-1062RP	53.00	210.00
3	950-1063RP	53.00	210.00
4	950-1064RP	77.00	294.00
5	950-1065RP	63.00	242.00
6	950-1066RP	68.00	268.00
7	950-1067RP	74.00	294.00
9	950-1069RP	82.00	320.00
10	950-1070RP	79.00	326.00
11	950-1071RP	89.00	357.00
12	950-1072RP	84.00	341.00
13	950-1073RP	98.00	378.00
16	950-1076RP	130.00	525.00
18	950-1078RP	110.00	436.00
19	950-1079RP	137.00	557.00
31	950-1091RP	53.00	210.00
32	950-1092RP	74.00	294.00
33	950-1093RP	63.00	242.00
34	950-1094RP	71.00	268.00
35	950-1095RP	77.00	294.00
37	950-1097RP	82.00	320.00
38	950-1098RP	79.00	326.00
39	950-1099RP	89.00	357.00
40	950-1100RP	84.00	341.00
41	950-1101RP	95.00	378.00
44	950-1104RP	126.00	520.00

NOTE: For BRONZE IMPELLER, Substitute BRP for RP.

I.D. NO.	ITEM #6 IMPELLER WASHER	LIST PRICE
1	950-046RP B/C	4.20
2	950-047RP D,E,F & G	5.25

COMPARE. YOU'LL TAKE TACO.

TACO, Inc., 1160 Cranston St., Cranston, RI 02920 (401) 942-8000 FAX: (401) 942-2360

Printed in U.S.A.

I.D. NO.	ITEM #7 ADAPTER	LIST PRICE
2	950-1111RP	92.00
3	950-1112RP	114.00
5	950-1114RP	173.00
6	950-1115RP	150.00
10	950-1119RP	110.00
11	950-1120RP	113.00

I.D. NO.	ITEM #16 STUD	LIST PRICE
1	950-1157RP	4.50
2	950-1158RP	7.75
3	950-1159RP	11.00
4	950-1160RP	21.00
5	950-1161RP	16.00

ID. NO.	ITEM #8 IMPELLER BOLT	LIST PRICE
	Hardware	

I.D. NO.	ITEM #17 WEAR RING (CI)	LIST PRICE
1	950-1163RP	18.00
2	950-1164RP	29.00
3	950-1165RP	30.00
4	950-1166RP	30.00
5	950-1167RP	66.00
6	950-1168RP	52.00
8	950-1170RP	60.00

ID. NO.	ITEM #8 IMPELLER BOLT	LIST PRICE
	Hardware	

I.D. NO.	ITEM #10 SLEEVE (SS)	LIST PRICE
4	950-516RP	77.00
5	950-517RP	98.00

I.D. NO.	ITEM #17 WEAR RING (BRZ)	LIST PRICE
1	950-1163BRP	28.00
2	950-1164BRP	38.00
3	950-1165BRP	39.00
4	950-1166BRP	43.00
5	950-1167BRP	81.00
6	950-1168BRP	71.00
8	950-1170BRP	76.00

I.D. NO.	ITEM #10 SLEEVE (BRZ)	LIST PRICE
4	950-519RP	38.00
5	950-520RP	53.00

I.D. NO.	ITEM #11 COVER	LIST PRICE
13	950-1133RP	101.00
14	950-1134RP	96.00
15	950-1135RP	152.00
16	950-1136RP	100.00
17	950-1137RP	158.00
18	950-1138RP	205.00
19	950-1139RP	137.00
20	950-1140RP	226.00
25	950-1145RP	68.00
26	950-1146RP	95.00
27	950-1147RP	152.00
31	950-1151RP	205.00
32	950-1152RP	236.00
33	950-1153RP	331.00

I.D. NO.	ITEM #24 STUD	LIST PRICE
3	950-1159RP	11.00
7	950-1179RP	4.50
8	950-1180RP	27.00
9	950-1181RP	13.00

ID. NO.	ITEM #13 TUBE FITTING KIT	LIST PRICE
	951-247RP	25.00

I.D. NO.	ITEM #30 SEAL KIT	LIST PRICE
1B	950-664SRP	155.00
2B	950-664BRP	131.00
3B	950-665SRP	201.00
4B	950-665BRP	160.00
1D	950-667SRP	483.00
2D	950-667BRP	455.00
3D	950-668SRP	551.00
4D	950-668BRP	500.00
1E	950-670SRP	258.00
2E	950-670BRP	229.00
3E	950-671SRP	548.00
4E	950-671BRP	456.00

I.D. NO.	ITEM #15 O RING	LIST PRICE
1	950-110RP	5.25
2	950-111RP	10.00



Replacement Parts List

304-008

VL 1506, 2006, 2506 & 3006

SUPERSEDES: NEW

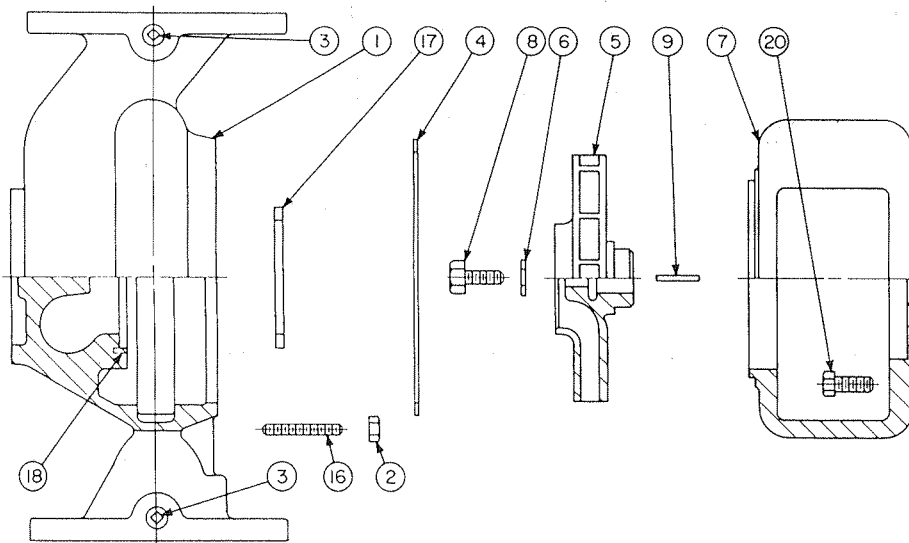
EFFECTIVE: FEBRUARY 15, 1992

WHEN SELECTING AND ORDERING PARTS, ALWAYS REFER TO SERIAL NUMBER ON NAME PLATE

FLG. SIZE _____ -Example- _____ MOTOR NUMBER
 VL _____

00 00 00 0 0 0 000000

ACTUAL IMP. DIA. _____ MOTOR FRAME
 SEAL DESIGN _____ MATERIAL OF CONSTRUCTION

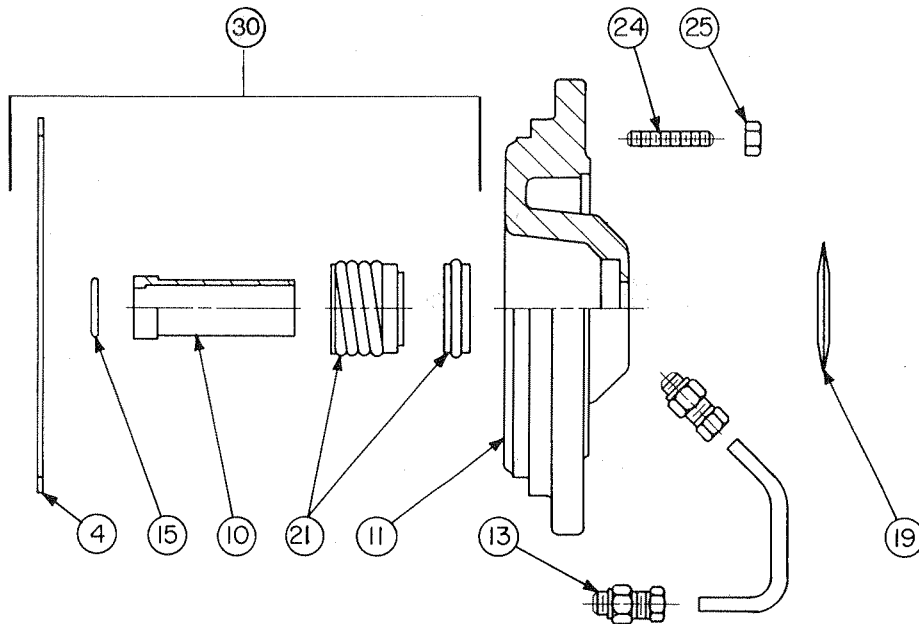


ITEM NO.	REQ.	DESCRIPTION	1506	2006	2506	2506	3006	3006
			FRAME B or C	FRAME B or C	FRAME B or C	FRAME D or E	FRAME B or C	FRAME D or E
1	1	CASING	950-1043RP	950-1044RP	950-1045RP	950-1045RP	950-1046RP	950-1046RP
2	8	NUT	<-----HARDWARE----->					
3	3	1/4" NPT PLUG	<-----HARDWARE----->					
4	1	GASKET	<-----950-021RP----->					
5	1	IMP. C.I.	950-1061RP	950-1062RP	950-1063RP	950-1091RP	950-1064RP	950-1092RP
5	1	IMP. BRZ.	950-1061BRP	950-1062BRP	950-1063BRP	950-1091BRP	950-1064BRP	950-1092BRP
6	1	IMP. WASHER	950-046RP	950-046RP	950-046RP	950-047RP	950-046RP	950-047RP
7	1	ADAPTER	950-1119RP	950-1111RP	950-1119RP	950-1111RP	950-1119RP	950-1111RP
8	1	IMP. BOLT	<-----HARDWARE----->					
9	1	IMP. KEY	<-----HARDWARE----->					
16	8	STUD	<-----950-1157RP----->					
17	1	WEAR RING C.I.	950-1163RP	950-1164RP	950-1165RP	950-1165RP	950-1166RP	950-1166RP
17	1	WEAR RING BRZ.	950-1163BRP	950-1164BRP	950-1165BRP	950-1165BRP	950-1166BRP	950-1166BRP
18	1	DOWEL PIN	<-----N/A----->					
20	4	HEX HD. SCREW	<-----HARDWARE----->					

COMPARE. YOU'LL TAKE TACO.

TACO, Inc., 1160 Cranston St., Cranston, RI 02920 (401) 942-8000 FAX: (401) 942-2360

Printed in U.S.A.



SEAL PARTS FOR VL 1506, 2006, 2506 & 3006—SEAL KITS INCLUDE ITEMS NO. 4, 6, 10, 15 & 21

ITEM NO.	REQ.	DESCRIPTION	SEAL TYPE B	SEAL TYPE B	SEAL TYPE D	SEAL TYPE D	SEAL TYPE E	SEAL TYPE E	
			FRAME B or C	FRAME D or E/F or G	FRAME B or C	FRAME D or E/F or G	FRAME B or C	FRAME D or E/F or G	
4	1	GASKET	<-----SEE PG. 1----->						
10	1	SLEEVE (SS)	950-516RP	950-517RP	950-516RP	950-517RP	950-516RP	950-517RP	
10	1	SLEEVE (BRZ)	950-519RP	950-520RP	950-519RP	950-520RP	950-519RP	950-520RP	
11	1	COVER	950-1133RP	950-1145RP	950-1133RP	950-1145RP	950-1133RP	950-1145RP	
13	1	TUBE FITTING KIT	<-----951-247RP----->						
15	1	O RING	950-110RP	950-111RP	950-110RP	950-111RP	950-110RP	950-111RP	
19	1	DEFLECTOR	<-----N/A----->						
21	1	SEAL (TYPE B)	<-----N/A----->						
21	1	SEAL (TYPE D)	<-----N/A----->						
21	1	SEAL (TYPE E)	<-----N/A----->						
30	1	SEAL KIT (TYPE B)	950-664SRP 950-664BRP	950-665SRP 950-665BRP					
30	1	SEAL KIT (TYPE D)			950-667SRP 950-667BRP	950-668SRP 950-668BRP			
30	1	SEAL KIT (TYPE E)					950-670SRP 950-670BRP	950-671SRP 950-671BRP	
24	8	STUD	<-----NOT REQUIRED----->						
25	8	NUT	<-----NOT REQUIRED----->						



Replacement Parts List

304-009

VL 1507, 2007 & 2507

SUPERSEDES: NEW

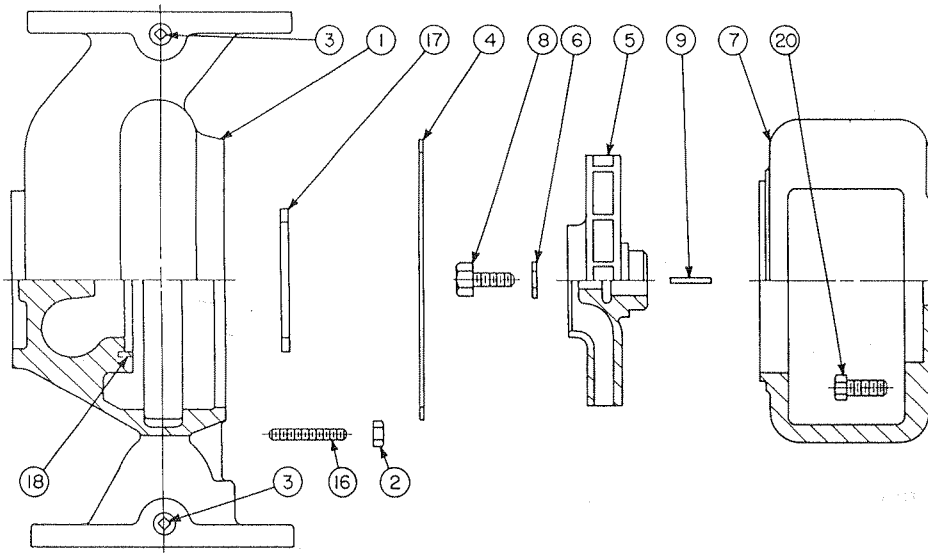
EFFECTIVE: FEBRUARY 15, 1992

WHEN SELECTING AND ORDERING PARTS, ALWAYS REFER TO SERIAL NUMBER ON NAME PLATE

FLG. SIZE _____ -Example- _____ MOTOR NUMBER
 VL _____

00 00 00 0 0 0 000000

ACTUAL IMP. DIA. _____ MOTOR FRAME
 SEAL DESIGN _____ MATERIAL OF CONSTRUCTION

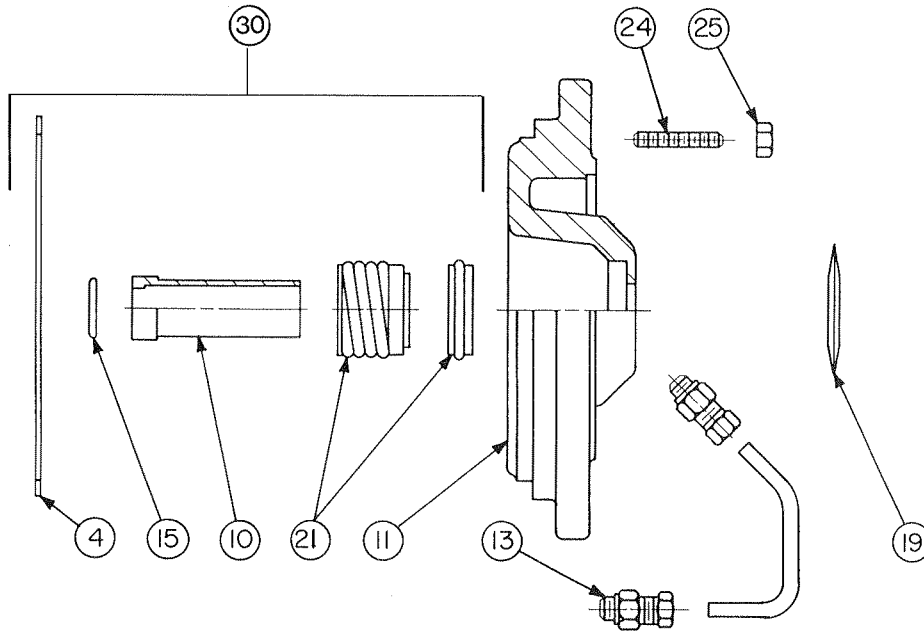


ITEM NO.	REQ.	DESCRIPTION	1507	1507	2007	2007	2507	2507
			FRAME B or C	FRAME D or E	FRAME B or C	FRAME D or E	FRAME B or C	FRAME D or E
1	1	CASING	950-1047RP	950-1047RP	950-1048RP	950-1048RP	950-1049RP	950-1049RP
2	8	NUT	<-----HARDWARE----->					
3	3	1/4" NPT PLUG	<-----HARDWARE----->					
4	1	GASKET	<-----950-022RP----->					
5	1	IMP. C.I.	950-1065RP	950-1093RP	950-1066RP	950-1094RP	950-1067RP	950-1095RP
5	1	IMP. BRZ.	950-1065BRP	950-1093BRP	950-1066BRP	950-1094BRP	950-1067BRP	950-1095BRP
6	1	IMP. WASHER	950-046RP	950-047RP	950-046RP	950-047RP	950-046RP	950-047RP
7	1	ADAPTER	950-1119RP	950-1112RP	950-1119RP	950-1112RP	950-1119RP	950-1112RP
8	1	IMP. BOLT	<-----HARDWARE----->					
9	1	IMP. KEY	<-----HARDWARE----->					
16	8	STUD	950-1158RP	950-1160RP	950-1158RP	950-1160RP	950-1158RP	950-1160RP
17	1	WEAR RING C.I.	950-1163RP	950-1163RP	950-1164RP	950-1164RP	950-1165RP	950-1165RP
17	1	WEAR RING BRZ.	950-1163BRP	950-1163BRP	950-1164BRP	950-1164BRP	950-1165BRP	950-1165BRP
18	1	DOWEL PIN	<-----N/A----->					
20	4	HEX HD. SCREW	<-----HARDWARE----->					

COMPARE. YOU'LL TAKE TACO.

Printed in U.S.A.

TACO, Inc., 1160 Cranston St., Cranston, RI 02920 (401) 942-8000 FAX: (401) 942-2360



SEAL PARTS FOR VL 1507, 2007 & 2507—SEAL KITS INCLUDE ITEMS NO. 4, 6, 10, 15 & 21

ITEM NO.	REQ.	DESCRIPTION	SEAL TYPE B	SEAL TYPE B	SEAL TYPE D	SEAL TYPE D	SEAL TYPE E	SEAL TYPE E	
			FRAME B or C	FRAME D or E/F or G	FRAME B or C	FRAME D or E/F or G	FRAME B or C	FRAME D or E/F or G	
4	1	GASKET	<-----SEE PG. 1----->						
10	1	SLEEVE (SS)	950-516RP	950-517RP	950-516RP	950-517RP	950-516RP	950-517RP	
10	1	SLEEVE (BRZ)	950-519RP	950-520RP	950-519RP	950-520RP	950-519RP	950-520RP	
11	1	COVER	950-1134RP	950-1136RP	950-1134RP	950-1136RP	950-1134RP	950-1136RP	
13	1	TUBE FITTING KIT	<-----951-247RP----->						
15	1	O RING	950-110RP	950-111RP	950-110RP	950-111RP	950-110RP	950-111RP	
19	1	DEFLECTOR	<-----N/A----->						
21	1	SEAL (TYPE B)	<-----N/A----->						
21	1	SEAL (TYPE D)	<-----N/A----->						
21	1	SEAL (TYPE E)	<-----N/A----->						
30	1	SEAL KIT (TYPE B)	950-664SRP 950-664BRP	950-665SRP 950-665BRP					
30	1	SEAL KIT (TYPE D)			950-667SRP 950-667BRP	950-668SRP 950-668BRP			
30	1	SEAL KIT (TYPE E)					950-670SRP 950-670BRP	950-671SRP 950-671BRP	
24	8	STUD	950-1179RP	NOT REQ'D.	950-1179RP	NOT REQ'D.	950-1179RP	NOT REQ'D.	
25	8	NUT	<-----HARDWARE----->						



Replacement Parts List

304-010

VL 3007 & 4007

SUPERSEDES: NEW

EFFECTIVE: FEBRUARY 15, 1992

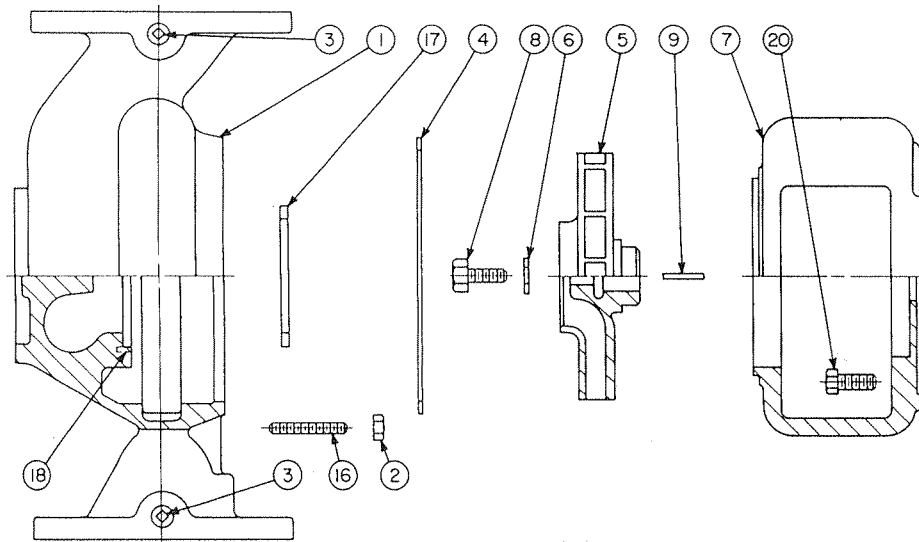
WHEN SELECTING AND ORDERING PARTS, ALWAYS REFER TO SERIAL NUMBER ON NAME PLATE

FLG. SIZE VL ————— -Example- ————— MOTOR NUMBER

00 00 00 0 0 0 000000

ACTUAL IMP. DIA. ————— MOTOR FRAME

SEAL DESIGN ————— MATERIAL OF CONSTRUCTION

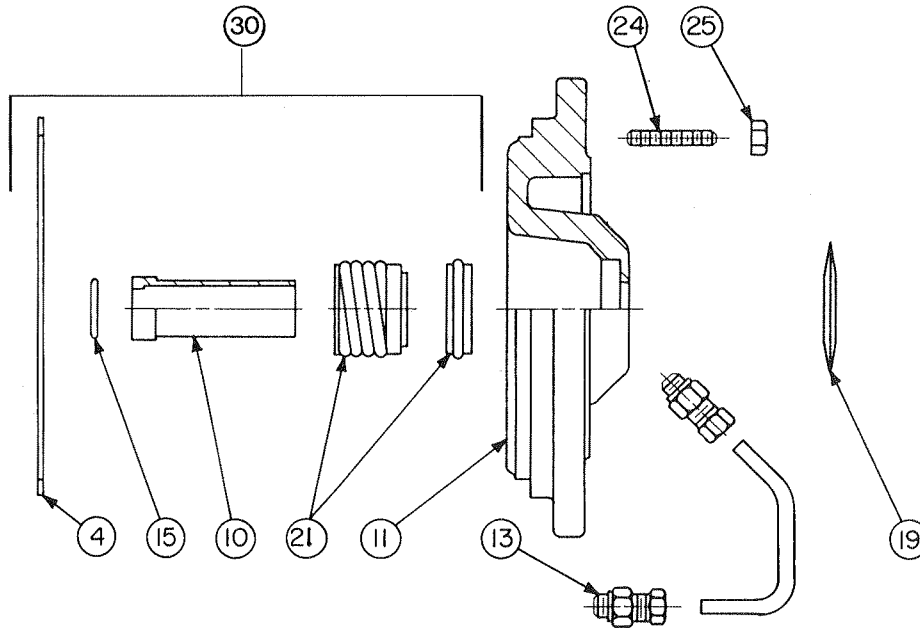


ITEM NO.	REQ.	DESCRIPTION	3007	3007	3007	4007	4007	4007
			FRAME B or C	FRAME D or E	FRAME F or G	FRAME B or C	FRAME D or E	FRAME F or G
1	1	CASING	950-1051RP	950-1051RP	950-1051RP	950-1052RP	950-1052RP	950-1052RP
2	8	NUT	<-----HARDWARE----->					
3	3	1/4" NPT PLUG	<-----HARDWARE----->					
4	1	GASKET	<-----950-022RP----->					
5	1	IMP. C.I.	950-1098RP	950-1070RP	950-1070RP	950-1099RP	950-1071RP	950-1071RP
5	1	IMP. BRZ.	950-1098BRP	950-1070BRP	950-1070BRP	950-1099BRP	950-1071BRP	950-1071BRP
6	1	IMP. WASHER	950-046RP	950-047RP	950-047RP	950-046RP	950-047RP	950-047RP
7	1	ADAPTER	950-1119RP	950-1112RP	950-1114RP	950-1119RP	950-1112RP	950-1114RP
8	1	IMP. BOLT	<-----HARDWARE----->					
9	1	IMP. KEY	<-----HARDWARE----->					
16	8	STUD	950-1158RP	950-1160RP	950-1160RP	950-1158RP	950-1160RP	950-1160RP
17	1	WEAR RING C.I.	950-1166RP	950-1166RP	950-1166RP	950-1167RP	950-1167RP	950-1167RP
17	1	WEAR RING BRZ.	950-1166BRP	950-1166BRP	950-1166BRP	950-1167BRP	950-1167BRP	950-1167BRP
18	1	DOWEL PIN	<-----N/A----->					
20	4	HEX HD. SCREW	<-----HARDWARE----->					

COMPARE. YOU'LL TAKE TACO.

Printed in U.S.A.

TACO, Inc., 1160 Cranston St., Cranston, RI 02920 (401) 942-8000 FAX: (401) 942-2360



SEAL PARTS FOR VL 3007 & 4007—SEAL KITS INCLUDE ITEMS NO. 4, 6, 10, 15 & 21

ITEM NO.	REQ.	DESCRIPTION	SEAL TYPE B	SEAL TYPE B	SEAL TYPE D	SEAL TYPE D	SEAL TYPE E	SEAL TYPE E	
			FRAME B or C	FRAME D or E/F or G	FRAME B or C	FRAME D or E/F or G	FRAME B or C	FRAME D or E/F or G	
4	1	GASKET	<-----SEE PG. 1----->						
10	1	SLEEVE (SS)	950-516RP	950-517RP	950-516RP	950-517RP	950-516RP	950-517RP	
10	1	SLEEVE (BRZ)	950-519RP	950-520RP	950-519RP	950-520RP	950-519RP	950-520RP	
11	1	COVER	950-1134RP	950-1136RP	950-1134RP	950-1136RP	950-1134RP	950-1136RP	
13	1	TUBE FITTING KIT	<-----951-247RP----->						
15	1	O RING	950-110RP	950-111RP	950-110RP	950-111RP	950-110RP	950-111RP	
19	1	DEFLECTOR	<-----N/A----->						
21	1	SEAL (TYPE B)	<-----N/A----->						
21	1	SEAL (TYPE D)	<-----N/A----->						
21	1	SEAL (TYPE E)	<-----N/A----->						
30	1	SEAL KIT (TYPE B)	950-664SRP 950-664BRP	950-665SRP 950-665BRP					
30	1	SEAL KIT (TYPE D)			950-667SRP 950-667BRP	950-668SRP 950-668BRP			
30	1	SEAL KIT (TYPE E)					950-670SRP 950-670BRP	950-671SRP 950-671BRP	
24	8	STUD	950-1179RP	NOT REQ'D.	950-1179RP	NOT REQ'D.	950-1179RP	NOT REQ'D.	
25	8	NUT	HARDWARE	NOT REQ'D.	HARDWARE	NOT REQ'D.	HARDWARE	NOT REQ'D.	



Replacement Parts List

304-011

VL 2008 & 2508

SUPERSEDES: NEW

EFFECTIVE: FEBRUARY 15, 1992

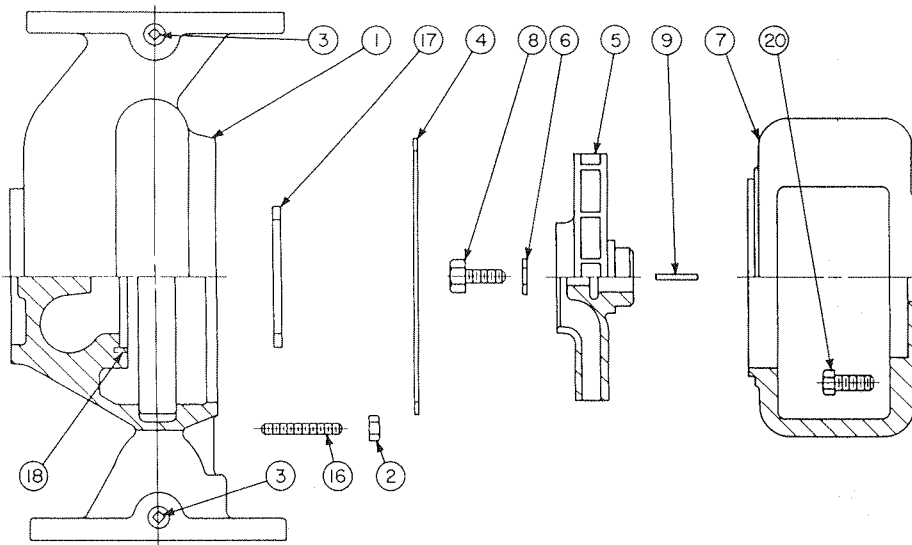
WHEN SELECTING AND ORDERING PARTS, ALWAYS REFER TO SERIAL NUMBER ON NAME PLATE

FLG. SIZE _____ VL _____ —Example— _____ MOTOR NUMBER _____

00 00 00 0 0 0 000000

ACTUAL IMP. DIA. _____ MOTOR FRAME _____

SEAL DESIGN _____ MATERIAL OF CONSTRUCTION _____

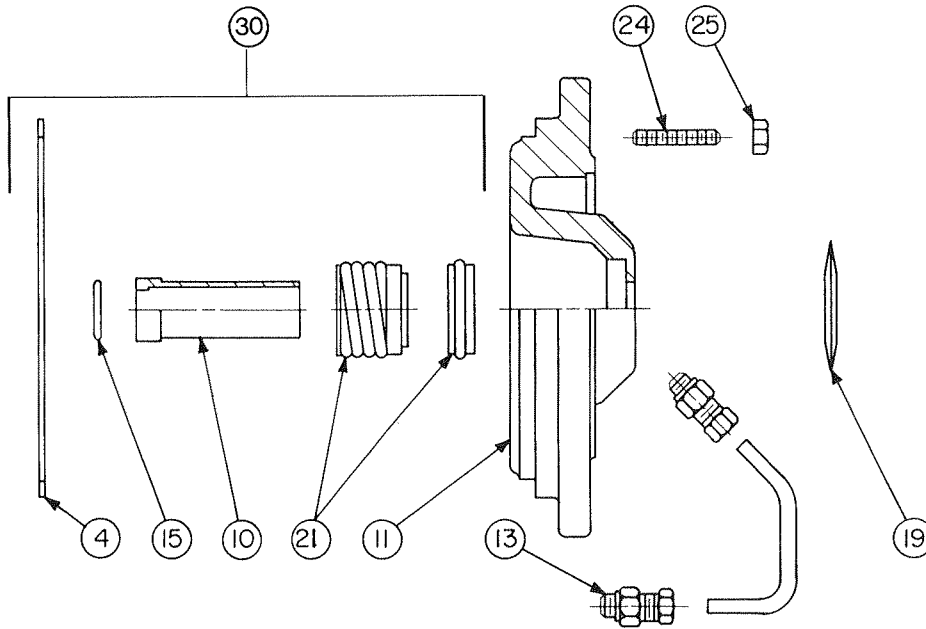


ITEM NO.	REQ.	DESCRIPTION	2008	2008	2508	2508	2508	
			FRAME B or C	FRAME D or E/F or G	FRAME B or C	FRAME D or E	FRAME F or G	
1	1	CASING	950-1050RP	950-1050RP	950-1053RP	950-1053RP	950-1053RP	
2	8	NUT	-----HARDWARE-----					
3	3	1/4" NPT PLUG	-----HARDWARE-----					
4	1	GASKET	-----950-023RP-----					
5	1	IMP. C.I.	950-1069RP	950-1097RP	950-1100RP	950-1072RP	950-1072RP	
5	1	IMP. BRZ.	950-1069BRP	950-1097BRP	950-1100BRP	950-1072BRP	950-1072BRP	
6	1	IMP. WASHER	950-046RP	950-047RP	950-046RP	950-047RP	950-047RP	
7	1	ADAPTER	950-1119RP	950-1112RP	950-1119RP	950-1112RP	950-1114RP	
8	1	IMP. BOLT	-----HARDWARE-----					
9	1	IMP. KEY	-----HARDWARE-----					
16	8	STUD	-----950-1159RP-----					
17	1	WEAR RING C.I.	950-1164RP	950-1164RP	950-1165RP	950-1165RP	950-1165RP	
17	1	WEAR RING BRZ.	950-1164BRP	950-1164BRP	950-1165BRP	950-1165BRP	950-1165BRP	
18	1	DOWEL PIN	-----N/A-----					
20	4	HEX HD. SCREW	-----HARDWARE-----					

COMPARE. YOU'LL TAKE TACO.

TACO, Inc., 1160 Cranston St., Cranston, RI 02920 (401) 942-8000 FAX: (401) 942-2360

Printed in U.S.A.



SEAL PARTS FOR VL 2008 & 2508—SEAL KITS INCLUDE ITEMS NO. 4, 6, 10, 15 & 21

ITEM NO.	REQ.	DESCRIPTION	SEAL TYPE B	SEAL TYPE B	SEAL TYPE D	SEAL TYPE D	SEAL TYPE E	SEAL TYPE E	
			FRAME B or C	FRAME D or E/F or G	FRAME B or C	FRAME D or E/F or G	FRAME B or C	FRAME D or E/F or G	
4	1	GASKET	<-----SEE PG. 1----->						
10	1	SLEEVE (SS)	950-516RP	950-517RP	950-516RP	950-517RP	950-516RP	950-517RP	
10	1	SLEEVE (BRZ)	950-519RP	950-520RP	950-519RP	950-520RP	950-519RP	950-520RP	
11	1	COVER	950-1135RP	950-1137RP	950-1135RP	950-1137RP	950-1135RP	950-1137RP	
13	1	TUBE FITTING KIT	<-----951-247RP----->						
15	1	O RING	950-110RP	950-111RP	950-110RP	950-111RP	950-110RP	950-111RP	
19	1	DEFLECTOR	<-----N/A----->						
21	1	SEAL (TYPE B)	<-----N/A----->						
21	1	SEAL (TYPE D)	<-----N/A----->						
21	1	SEAL (TYPE E)	<-----N/A----->						
30	1	SEAL KIT (TYPE B)	950-664SRP 950-664BRP	950-665SRP 950-665BRP					
30	1	SEAL KIT (TYPE D)			950-667SRP 950-667BRP	950-668SRP 950-668BRP			
30	1	SEAL KIT (TYPE E)					950-670SRP 950-670BRP	950-671SRP 950-671BRP	
24	8	STUD	950-1179RP	950-1180RP	950-1179RP	950-1180RP	950-1179RP	950-1180RP	
25	8	NUT	<-----HARDWARE----->						



Replacement Parts List

304-012

VL 3008 & 5008

SUPERSEDES: NEW

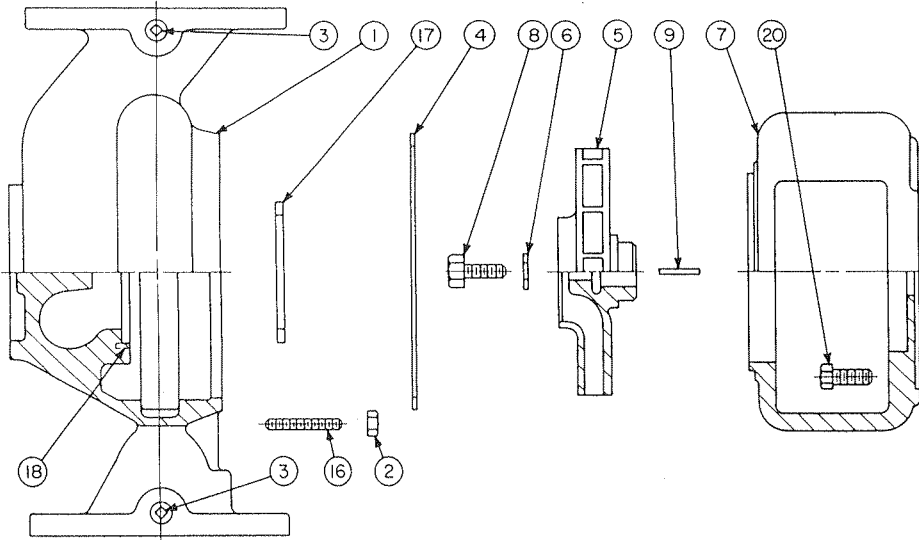
EFFECTIVE: FEBRUARY 15, 1992

WHEN SELECTING AND ORDERING PARTS, ALWAYS REFER TO SERIAL NUMBER ON NAME PLATE

FLG. SIZE _____ -Example- _____ MOTOR NUMBER
 VL _____

00 00 00 0 0 0 000000

ACTUAL IMP. DIA. _____ MOTOR FRAME
 SEAL DESIGN _____ MATERIAL OF CONSTRUCTION

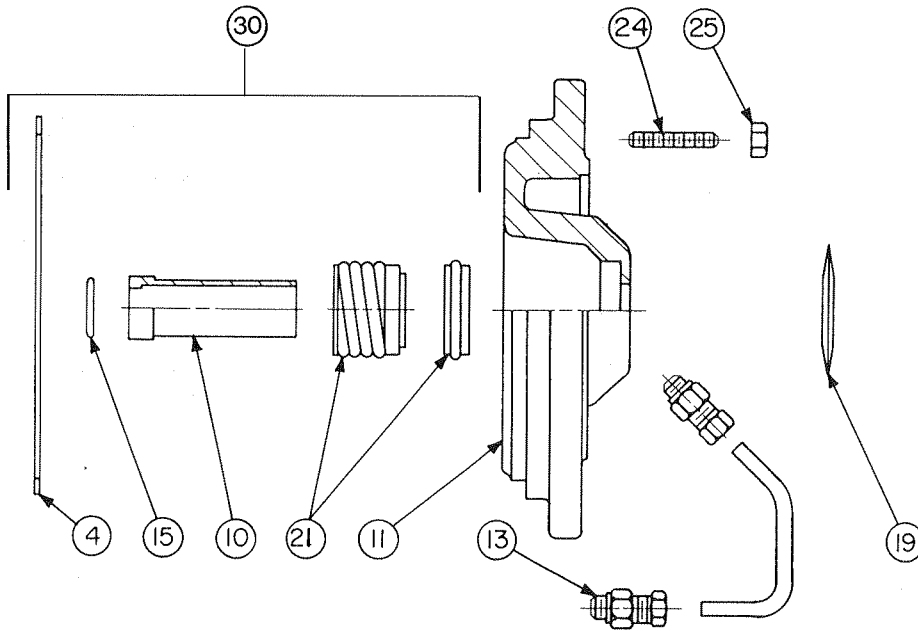


ITEM NO.	REQ.	DESCRIPTION	3008	3008	3008	5008	5008	
			FRAME B or C	FRAME D or E	FRAME F or G	FRAME B or C/F or G	FRAME D or E	
1	1	CASING	950-1054RP	950-1054RP	950-1054RP	N/A	950-1058RP	
2	8	NUT	Hardware	Hardware	Hardware	N/A	Hardware	
3	3	1/4" NPT PLUG	Hardware	Hardware	Hardware	N/A	Hardware	
4	1	GASKET	950-023RP	950-023RP	950-023RP	N/A	950-023RP	
5	1	IMP. C.I.	950-1101RP	950-1073RP	950-1073RP	N/A	950-1078RP	
5	1	IMP. BRZ.	950-1101BRP	950-1073BRP	950-1073BRP	N/A	950-1078BRP	
6	1	IMP. WASHER	950-046RP	950-047RP	950-047RP	N/A	950-047RP	
7	1	ADAPTER	950-1119RP	950-1112RP	950-1112RP	N/A	950-1115RP	
8	1	IMP. BOLT	Hardware	Hardware	Hardware	N/A	Hardware	
9	1	IMP. KEY	Hardware	Hardware	Hardware	N/A	Hardware	
16	8	STUD	950-1159RP	950-1159RP	950-1159RP	N/A	950-1161RP	
17	1	WEAR RING C.I.	950-1166RP	950-1166RP	950-1166RP	N/A	950-1168RP	
17	1	WEAR RING BRZ.	950-1166BRP	950-1166BRP	950-1166BRP	N/A	950-1168BRP	
18	1	DOWEL PIN	<-----N/A----->					
20	4	HEX HD. SCREW	<-----HARDWARE----->					

COMPARE. YOU'LL TAKE TACO.

Printed in U.S.A.

TACO, Inc., 1160 Cranston St., Cranston, RI 02920 (401) 942-8000 FAX: (401) 942-2360



SEAL PARTS FOR VL 3008 & 5008—SEAL KITS INCLUDE ITEMS NO. 4, 6, 10, 15 & 21

ITEM NO.	REQ.	DESCRIPTION	SEAL TYPE B	SEAL TYPE B	SEAL TYPE D	SEAL TYPE D	SEAL TYPE E	SEAL TYPE E	
			FRAME B or C	FRAME D or E/F or G	FRAME B or C	FRAME D or E/F or G	FRAME B or C	FRAME D or E/F or G	
4	1	GASKET	<-----SEE PG. 1----->						
10	1	SLEEVE (SS)	950-516RP	950-517RP	950-516RP	950-517RP	950-516RP	950-517RP	
10	1	SLEEVE (BRZ)	950-519RP	950-520RP	950-519RP	950-520RP	950-519RP	950-520RP	
11	1	COVER	950-1135RP	950-1137RP	950-1135RP	950-1137RP	950-1135RP	950-1137RP	
13	1	TUBE FITTING KIT	<-----951-247RP----->						
15	1	O RING	950-110RP	950-111RP	950-110RP	950-111RP	950-110RP	950-111RP	
19	1	DEFLECTOR	<-----N/A----->						
21	1	SEAL (TYPE B)	<-----N/A----->						
21	1	SEAL (TYPE D)	<-----N/A----->						
21	1	SEAL (TYPE E)	<-----N/A----->						
30	1	SEAL KIT (TYPE B)	950-664SRP 950-664BRP	950-665SRP 950-665BRP					
30	1	SEAL KIT (TYPE D)			950-667SRP 950-667BRP	950-668SRP 950-668BRP			
30	1	SEAL KIT (TYPE E)					950-670SRP 950-670BRP	950-671SRP 950-671BRP	
24	8	STUD	950-1179RP	950-1180RP	950-1179RP	950-1180RP	950-1179RP	950-1180RP	
25	8	NUT	<-----HARDWARE----->						



Replacement Parts List

304-013

VL 2510 & 3010

SUPERSEDES: NEW

EFFECTIVE: FEBRUARY 15, 1992

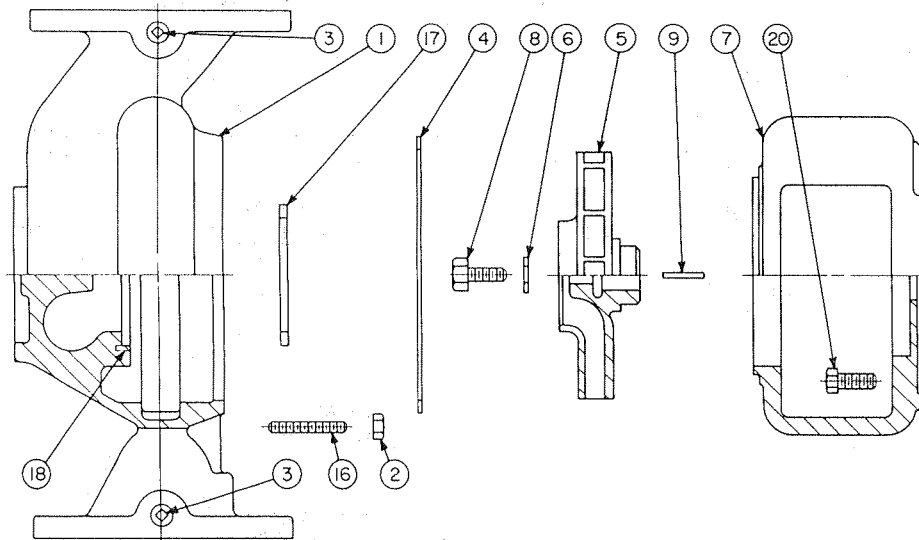
WHEN SELECTING AND ORDERING PARTS, ALWAYS REFER TO SERIAL NUMBER ON NAME PLATE

FLG. SIZE VL —Example— MOTOR NUMBER

00 00 00 0 0 0 000000

ACTUAL IMP. DIA. MOTOR FRAME

SEAL DESIGN MATERIAL OF CONSTRUCTION

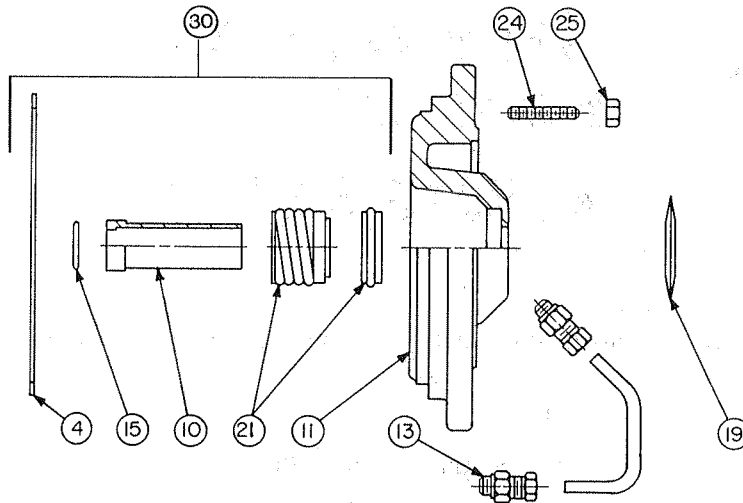


ITEM NO.	REQ.	DESCRIPTION	2510	2510	3010	3010
			FRAME B or C	FRAME D or E	FRAME B or C/F or G	FRAME D or E
1	1	CASING	950-1059RP	950-1059RP	N/A	950-1060RP
2	12	NUT	<-----HARDWARE----->			
3	3	1/4" NPT PLUG	<-----HARDWARE----->			
4	1	GASKET	950-119RP	950-119RP	N/A	950-119RP
5	1	IMP. C.I.	950-1104RP	950-1076RP	N/A	950-1079RP
5	1	IMP. BRZ.	950-1104BRP	950-1076BRP	N/A	950-1079BRP
6	1	IMP. WASHER	950-046RP	950-047RP	N/A	950-047RP
7	1	ADAPTER	950-1120RP	950-1112RP	N/A	950-1115RP
8	1	IMP. BOLT	<-----HARDWARE----->			
9	1	IMP. KEY	<-----HARDWARE----->			
16	12	STUD	950-1159RP	950-1159RP	N/A	950-1159RP
17	1	WEAR RING C.I.	950-1166RP	950-1166RP	N/A	950-1166RP
17	1	WEAR RING BRZ.	950-1166BRP	950-1166BRP	N/A	950-1166BRP
18	1	DOWEL PIN	<-----N/A----->			
20	4	HEX HD. SCREW	<-----HARDWARE----->			

COMPARE. YOU'LL TAKE TACO.

TACO, Inc., 1160 Cranston St., Cranston, RI 02920 (401) 942-8000 FAX: (401) 942-2360

Printed in U.S.A.



SEAL PARTS FOR VL 2510—SEAL KITS INCLUDE ITEMS NO. 4, 6, 10, 15 & 21

ITEM NO.	REQ.	DESCRIPTION	SEAL TYPE B	SEAL TYPE B	SEAL TYPE D	SEAL TYPE D	SEAL TYPE E	SEAL TYPE E	
			FRAME B or C	FRAME D or E	FRAME B or C	FRAME D or E	FRAME B or C	FRAME D or E	
4	1	GASKET	<-----SEE PG. 1----->						
10	1	SLEEVE (SS)	950-516RP	950-517RP	950-516RP	950-517RP	950-516RP	950-517RP	
10	1	SLEEVE (BRZ)	950-519RP	950-520RP	950-519RP	950-520RP	950-519RP	950-520RP	
11	1	COVER	950-1151RP	950-1138RP	950-1151RP	950-1138RP	950-1151RP	950-1138RP	
13	1	TUBE FITTING KIT	<-----951-247RP----->						
15	1	O RING	950-110RP	950-111RP	950-110RP	950-111RP	950-110RP	950-111RP	
19	1	DEFLECTOR	<-----N/A----->						
21	1	SEAL (TYPE B)	<-----N/A----->						
21	1	SEAL (TYPE D)	<-----N/A----->						
21	1	SEAL (TYPE E)	<-----N/A----->						
30	1	SEAL KIT (TYPE B)	950-664SRP 950-664BRP	950-665SRP 950-665BRP					
30	1	SEAL KIT (TYPE D)			950-667SRP 950-667BRP	950-668SRP 950-668BRP			
30	1	SEAL KIT (TYPE E)					950-670SRP 950-670BRP	950-671SRP 950-671BRP	
24	8	STUD	<-----950-1181RP----->						
25	8	NUT	<-----HARDWARE----->						

SEAL PARTS FOR VL 3010—SEAL KITS INCLUDE ITEMS NO. 4, 6, 10, 15 & 21

ITEM NO.	REQ.	DESCRIPTION	SEAL TYPE B	SEAL TYPE B	SEAL TYPE D	SEAL TYPE D	SEAL TYPE E	SEAL TYPE E
			FRAME B or C/F or G	FRAME D or E	FRAME B or C/F or G	FRAME D or E	FRAME B or C/F or G	FRAME D or E
4	1	GASKET	N/A	950-119RP	N/A	950-119RP	N/A	950-119RP
10	1	SLEEVE (SS)	N/A	950-517RP	N/A	950-517RP	N/A	950-517RP
10	1	SLEEVE (BRZ)	N/A	950-520RP	N/A	950-520RP	N/A	950-520RP
11	1	COVER	N/A	950-1140RP	N/A	950-1140RP	N/A	950-1140RP
13	1	TUBE FITTING KIT	N/A	951-247RP	N/A	951-247RP	N/A	951-247RP
15	1	O RING	N/A	950-111RP	N/A	950-111RP	N/A	950-111RP
19	1	DEFLECTOR	N/A	N/A	N/A	N/A	N/A	N/A
21	1	SEAL (TYPE B)	N/A	N/A	N/A	N/A	N/A	N/A
21	1	SEAL (TYPE D)	N/A	N/A	N/A	N/A	N/A	N/A
21	1	SEAL (TYPE E)	N/A	N/A	N/A	N/A	N/A	N/A
30	1	SEAL KIT (TYPE B)	N/A	950-665SRP 950-665BRP	N/A		N/A	
30	1	SEAL KIT (TYPE D)	N/A		N/A	950-668SRP 950-668BRP	N/A	
30	1	SEAL KIT (TYPE E)	N/A		N/A		N/A	950-671SRP 950-671BRP
24	8	STUD	N/A	950-1159RP	N/A	950-1159RP	N/A	950-1159RP
25	8	NUT	N/A	HARDWARE	N/A	HARDWARE	N/A	HARDWARE