



**CROSS-REFERENCE  
SHEET FOR  
TACO VL SERIES  
&  
SPP UL SERIES**

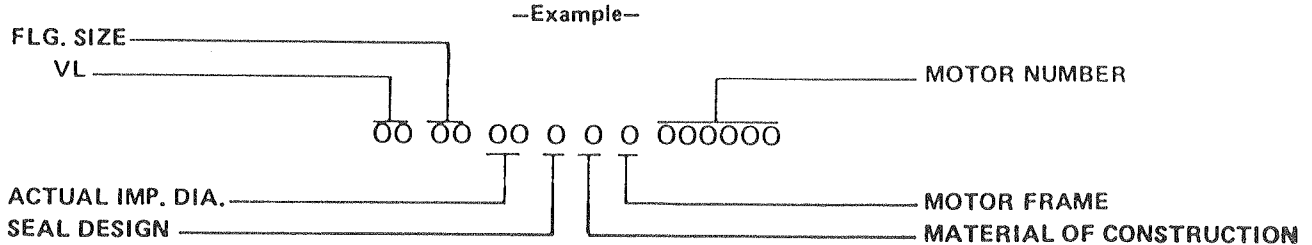
NUMBER

**304-008A**

Effective: January 31, 1986  
Supersedes: NEW

**FOR ALL VERTICAL  
MOUNTED PUMP**

WHEN SELECTING AND ORDERING PARTS, ALWAYS REFER TO SERIAL NUMBER ON NAME PLATE



**TACO VL PUMPS — SPP UL PUMPS**

VL 1506	UL 0413
VL 2006	UL 0513
VL 2506	UL 0613
VL 3006	UL 0813
VL 1507	UL 0416
VL 2007	UL 0516
VL 2507	UL 0616
VL 3007	UL 0816
VL 4007	UL 1016
VL 2008	UL 0520
VL 2508	UL 0620
VL 3008	UL 0820
VL 5008	UL 1220
VL 2510	UL 0626
VL 3010	UL 0826

To select replacement parts for SPP "UL" pumps, use the above cross-reference list to select the correct Taco "VL" pump. The Taco "VL" replacement parts sheets to be used are numbered 304-008 thru 304-013.



# REPLACEMENT PARTS LISTS

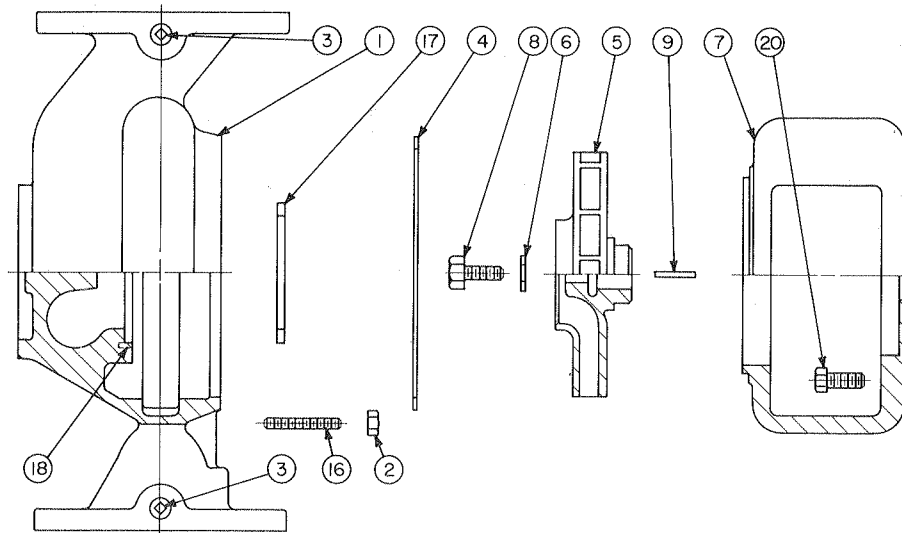
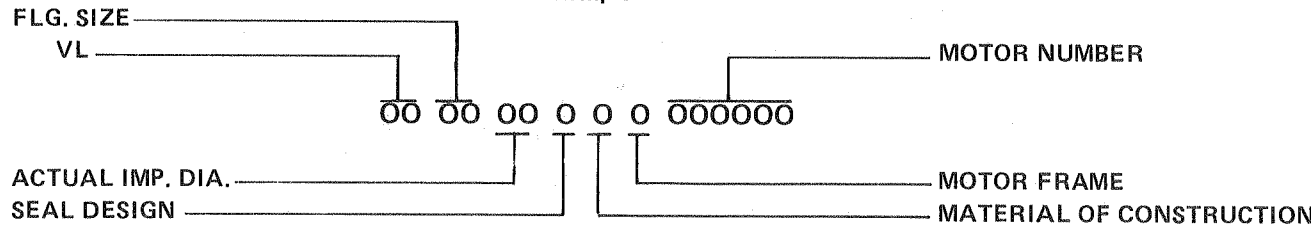
FOR FOLLOWING MODEL NUMBERS  
VL 1506, 2006, 2506 & 3006

NUMBER  
**304-008**

Effective: April 15, 1987  
Supersedes: 304-008 dated 5/1/85

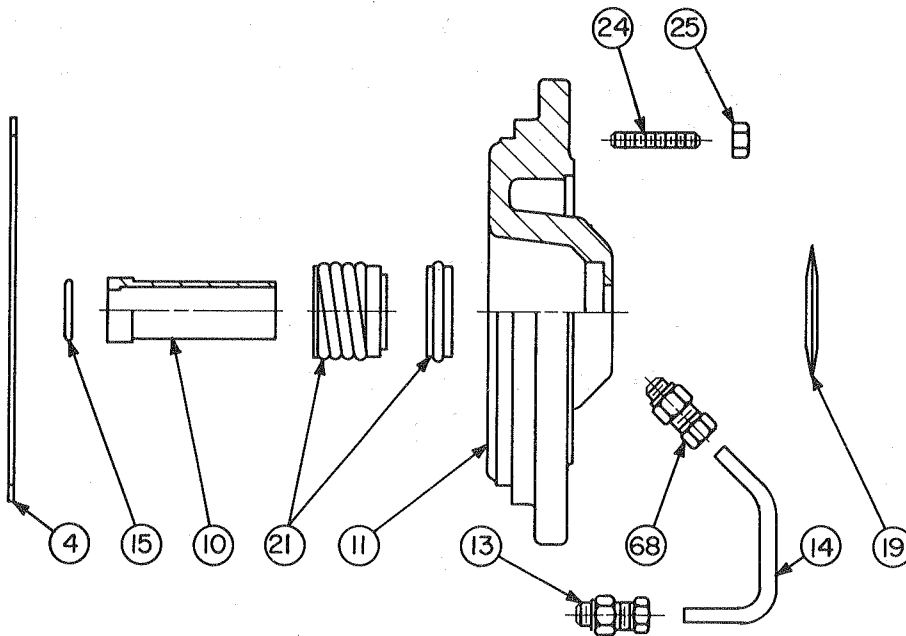
WHEN SELECTING AND ORDERING PARTS, ALWAYS REFER TO SERIAL NUMBER ON NAME PLATE

—Example—



ITEM #	REQ	DESCRIPTION	1506	2006	2506	2506	3006	3006
			FRAME B or C	FRAME B or C	FRAME B or C	FRAME D or E	FRAME B or C	FRAME D or E
1	1	CASING	31164-160-124-2	31164-161-124-9	31164-428-124-7	31164-428-124-7	31164-756-124-7	31164-756-124-7
2	8	NUT	12-112	12-112	12-112	12-112	12-112	12-112
3	3	1/2" NPT PLUG	16-104	16-104	16-104	16-104	16-104	16-104
4	1	GASKET	950-021	950-021	950-021	950-021	950-021	950-021
5	1	IMP. C.I.	31632-533-124-6	31674-121-124-1	31676-439-124-9	31676-715-124-0	31676-719-124-8	31676-717-124-4
5	1	IMP. BRZ.	31632-533-445-6	31674-121-445-1	31676-439-445-9	31676-715-445-0	31676-719-445-8	31676-717-445-4
6	1	IMP. WASHER	950-046	950-046	950-046	950-047	950-046	950-047
7	1	ADAPTER	37641-118-122-5	37652-110-122-5	37641-118-122-5	37652-110-122-5	37641-118-122-5	37652-110-122-5
8	1	IMP. BOLT	10-257	10-257	10-257	10-262	10-257	10-262
9	1	IMP. KEY	13-118	13-118	13-118	13-119	13-118	13-119
16	8	STUDS	21712-282-950-5	21712-282-950-5	21712-282-950-5	21712-282-950-5	21712-282-950-5	21712-282-950-5
17	1	WEAR RING, C.I.	34113-200-124-0	34114-210-124-4	34114-211-124-1	34114-211-124-1	34115-172-124-4	34115-172-124-4
17	1	WEAR RING, BRZ.	34113-200-445-0	34113-210-445-4	34114-211-445-1	34114-211-445-1	34115-172-445-4	34115-172-445-4
18	1	DOWEL PIN	21123-076-939-8	21123-076-939-8	21123-076-939-8	21123-076-939-8	21123-076-939-8	21123-076-939-8
20	4	HEX HD SCREW	10-221	10-223	10-221	10-223	10-221	10-223

SEAL DESIGN 00 00 00 X 00 00000



SEAL PARTS FOR VL 1506, 2006, 2506, & 3006 – SEAL KITS INCLUDE ITEMS NO. 4, 6, 10, 15 & 21

ITEM #	REQ	DESCRIPTION	SEAL TYPE B	SEAL TYPE B	SEAL TYPE D	SEAL TYPE D	SEAL TYPE E	SEAL TYPE E		
			FRAME B or C	FRAME D or E/F or G	FRAME B or C	FRAME D or E/F or G	FRAME B or C	FRAME D or E/F or G		
4	1	GASKET	SEE PAGE 1							
10	1	SLEEVE (SS)	950-516	950-517	950-516	950-517	950-516	950-517		
10	1	SLEEVE (BRZ)	950-519	950-520	950-519	950-520	950-519	950-520		
11	1	COVER	37152-125-124-0	37152-126-124-7	37152-125-124-0	37152-126-124-7	37152-125-124-0	37152-126-124-7		
13	1	FITTING	900-798	900-798	900-798	900-798	900-798	900-798		
14	1	TUBE	900-728	900-728	900-728	900-728	900-728	900-728		
15	1	O RING	950-110	950-111	950-110	950-111	950-110	950-111		
19	1	DEFLECTOR	34111-259-005-0	34113-199-005-5	34111-259-005-0	34113-199-005-5	34111-259-005-0	34113-199-005-5		
21	1	SEAL (TYPE "B")	950-664	950-665						
21	1	SEAL (TYPE "D")			950-667	950-668				
21	1	SEAL (TYPE "E")					950-670	950-671		
30	1	SEAL KIT	950-664SRP	950-665SRP						
		(TYPE "B")	950-664BRP	950-665BRP						
30	1	SEAL KIT			950-667SRP	950-668SRP				
		(TYPE "D")			950-667BRP	950-668BRP				
30	1	SEAL KIT					950-670SRP	950-671SRP		
		(TYPE "E")					950-670BRP	950-671BRP		
24	8	STUD	NOT REQUIRED	NOT REQUIRED	NOT REQUIRED	NOT REQUIRED	NOT REQUIRED	NOT REQUIRED		
25	8	NUT	" "	" "	" "	" "	" "	" "		
68	1	FITTING	17-473	17-473	17-473	17-473	17-473	17-473		



REPLACEMENT PARTS LISTS

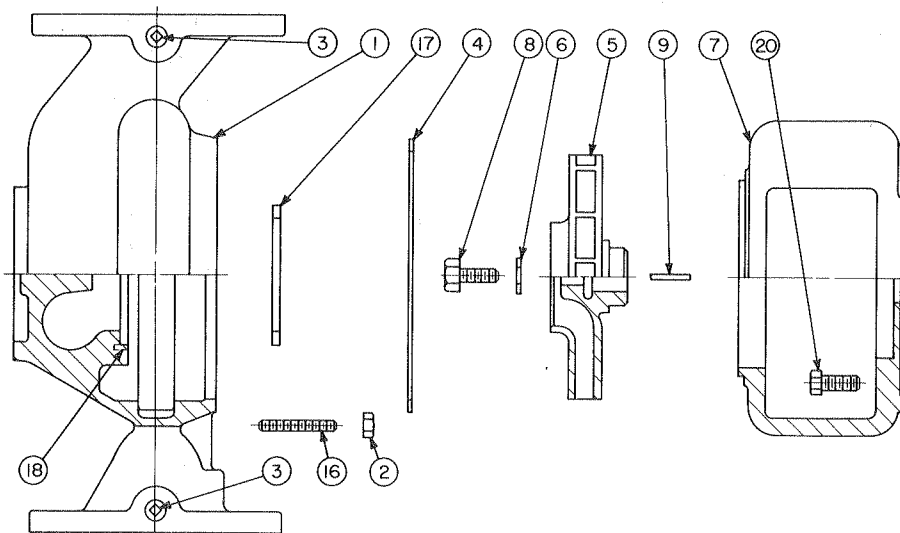
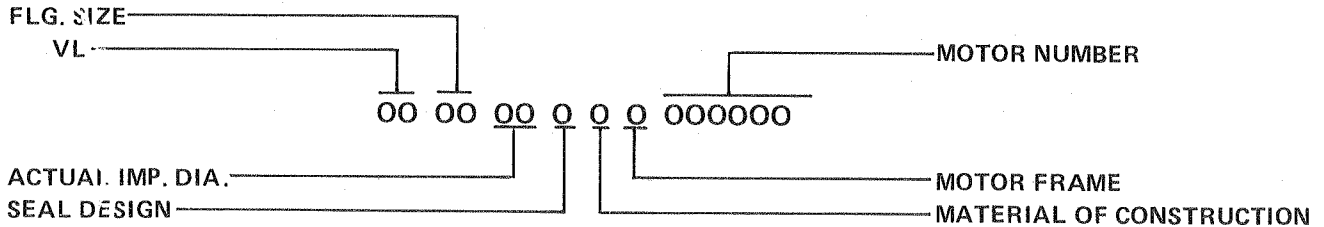
FOR FOLLOWING MODEL NUMBERS  
VL 1507, 2007 & 2507

NUMBER  
**304-009**

Effective: April 15, 1987  
Supersedes: 304-009  
dated 5/1/85

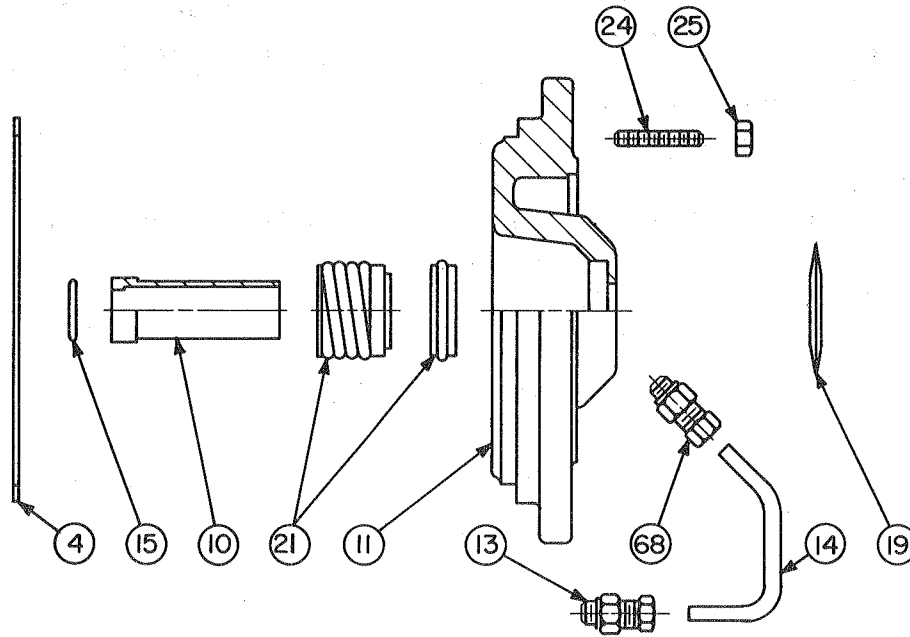
WHEN SELECTING AND ORDERING PARTS, ALWAYS REFER TO SERIAL NUMBER ON NAME PLATE

—Example—



ITEM #	REQ	DESCRIPTION	1507	1507	2007	2007	2507	2507
			FRAME B or C	FRAME D or E	FRAME B or C	FRAME D or E	FRAME B or C	FRAME D or E
1	1	CASING	31164-162-124-6	31164-168-124-6	31164-163-124-3	31164-163-124-3	31164-429-124-4	31164-429-124-4
2	8	NUT	12-110	12-110	12-110	12-110	12-110	12-110
3	3	1/4" NPT PLUG	16-104	16-104	16-104	16-104	16-104	16-104
4	1	GASKET	950-022	950-022	950-022	950-022	950-022	950-022
5	1	IMP. C.I.	31633-341-124-0	31633-557-124-3	31633-561-124-6	31633-559-124-7	31676-435-124-1	31676-431-124-3
5	1	IMP. BRZ.	31633-341-445-0	31633-557-445-3	31633-561-445-6	31633-559-445-7	31676-435-445-1	31676-431-445-3
6	1	IMP. WASHER	950-046	950-047	950-046	950-047	950-046	950-047
7	1	ADAPTER	37641-118-122-5	37652-109-122-3	37641-118-122-5	37652-109-122-3	37641-118-122-5	37652-109-122-3
8	1	IMP. BOLT	10-257	10-262	10-257	10-262	10-257	10-262
9	1	IMP. KEY	13-118	13-119	13-118	13-119	13-118	13-119
16	8	STUD	21712-325-950-9	21712-340-950-4	21712-325-950-9	21712-340-950-4	21712-325-950-9	21712-340-950-4
17	1	WEAR RING C.I.	34113-200-124-0	34113-200-124-0	34114-210-124-4	34114-210-124-4	34114-211-124-1	34114-211-124-1
17	1	WEAR RING BRZ.	34113-200-445-0	34113-200-445-0	34114-210-445-4	34114-210-445-4	34114-211-445-1	34114-211-445-1
18	1	DOWEL PIN	21123-076-939-8	21123-076-939-8	21123-076-939-8	21123-076-939-8	21123-076-939-8	21123-076-939-8
20	4	HEX HD. SCREW	10-221	10-223	10-221	10-223	10-221	10-223

SEAL DESIGN 00 00 00 X 00 000000



SEAL PARTS FOR VL 1507, 2007, 2507 – SEAL KITS INCLUDE ITEMS NO. 4,6,10,15&21

I T E M #	R E Q	DESCRIPTION	SEAL TYPE B	SEAL TYPE B	SEAL TYPE D	SEAL TYPE D	SEAL TYPE E	SEAL TYPE E	
			FRAME B or C	FRAME D or E/F or G	FRAME B or C	FRAME D or E/F or G	FRAME B or C	FRAME D or E/F or G	
4	1	GASKET	SEE PAGE 1						
10	1	SLEEVE (SS)	950-516	950-517	950-516	950-517	950-516	950-517	
10	1	SLEEVE (BRZ)	950-519	950-520	950-519	950-520	950-519	950-520	
11	1	COVER	37165-421-124-5	37152-123-124-6	37165-421-124-5	37152-123-124-6	37165-421-124-5	37152-123-124-6	
13	1	FITTING	900-798	900-798	900-798	900-798	900-798	900-798	
14	1	TUBE	900-728	900-728	900-728	900-728	900-728	900-728	
15	1	O RING	950-110	950-111	950-110	950-111	950-110	950-111	
19	1	DEFLECTOR	34111-259-005-0	34113-199-005-5	34111-259-005-0	34113-199-005-5	34111-259-005-0	34113-199-005-5	
21	1	SEAL (TYPE B)	950-664	950-665					
21	1	SEAL (TYPE D)			950-667	950-668			
21	1	SEAL (TYPE E)					950-670	950-671	
30	1	SEAL KIT (TYPE "B")	950-664SRP	950-665SRP					
			950-664BRP	950-665BRP					
30	1	SEAL KIT (TYPE "D")			950-667SRP	950-668SRP			
					950-667BRP	950-668BRP			
30	1	SEAL KIT (TYPE "E")					950-670SRP	950-671SRP	
							950-670BRP	950-671BRP	
24	8	STUD	21712-271-950-3	NOT REQUIRED	21712-271-950-3	NOT REQUIRED	21712-271-950-3	NOT REQUIRED	
25	8	NUT	12-112	" "	12-112	" "	12-112	" "	
68	1	FITTING	17-473	17-473	17-473	17-473	17-473	17-473	



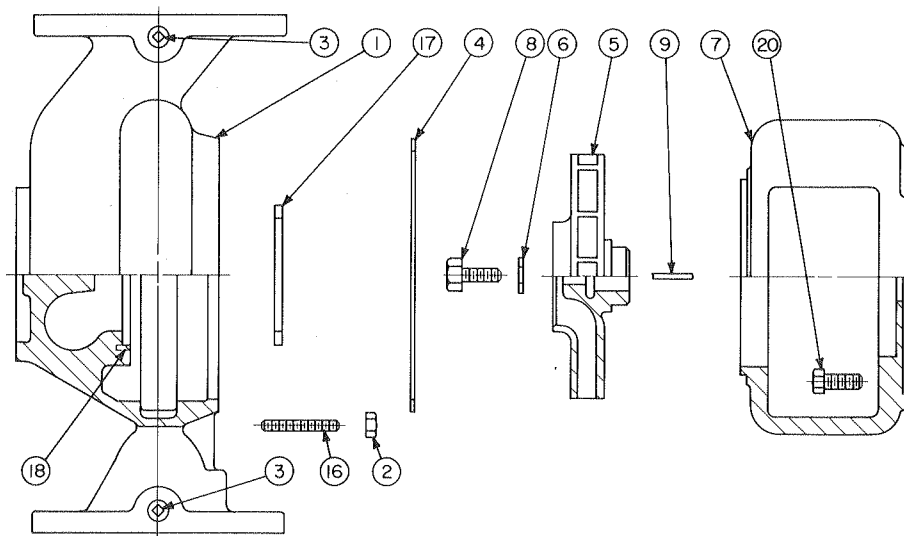
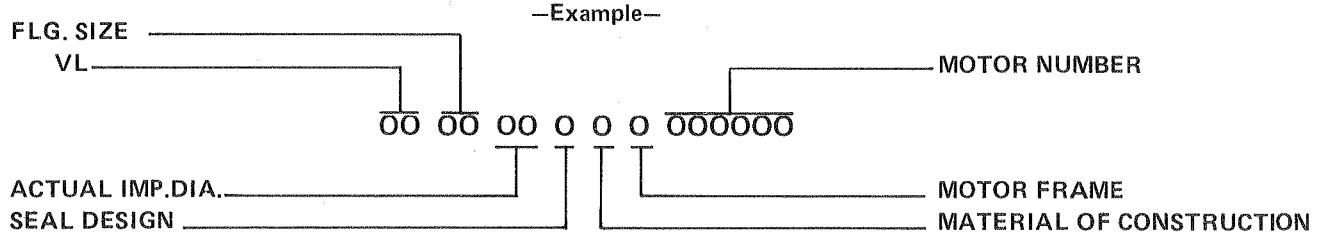
REPLACEMENT  
PARTS  
LISTS

FOR FOLLOWING MODEL  
NUMBERS  
VL 3007 & 4007

NUMBER  
**304-010**

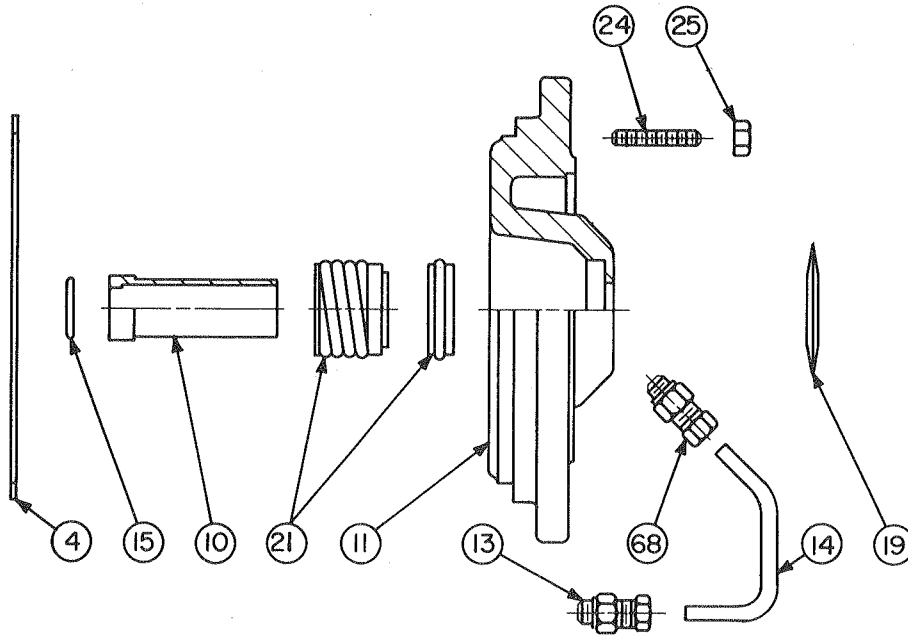
Effective: April 15, 1987  
Supersedes: 304-010  
dated 5/1/85

WHEN SELECTING AND ORDERING PARTS, ALWAYS REFER TO SERIAL NUMBER ON NAME PLATE



I T E M #	R E Q #	DESCRIPTION	3007	3007	3007	4007	4007	4007
			FRAME B or C	FRAME D or E	FRAME F or G	FRAME B or C	FRAME D or E	FRAME F or G
1	1	CASING	31164-757-124-4	31164-757-124-4	31164-757-124-4	31164-758-124-1	31164-758-124-1	31164-758-124-1
2	8	NUT	12-110	12-110	12-110	12-110	12-110	12-110
3	3	1/4" NPT PLUG	16-104	16-104	16-104	16-104	16-104	16-104
4	1	GASKET	950-022	950-022	950-022	950-022	950-022	950-022
5	1	IMP. C.I.	31676-437-124-5	31676-433-124-7	31676-433-124-7	31681-133-124-0	31681-131-124-6	31681-131-124-6
5	1	IMP. BRZ.	31676-437-445-5	31676-433-445-7	31676-433-445-7	31681-133-445-0	31681-131-445-6	31681-131-445-6
6	1	IMP. WASHER	950-046	950-047	950-047	950-046	950-047	950-047
7	1	ADAPTER	37641-118-122-5	37652-109-122-3	37654-117-122-2	37641-118-122-5	37652-109-122-3	37654-117-122-2
8	1	IMP. BOLT	10-257	10-262	10-262	10-257	10-262	10-262
9	1	IMP. KEY	13-118	13-119	13-119	13-118	13-119	13-119
16	8	STUD	21712-325-950-9	21712-340-950-4	21712-340-950-4	21712-325-950-9	21712-340-950-4	21712-340-950-4
17	1	WEAR RING C.I.	34115-172-124-4	34115-172-124-4	34115-172-124-4	34115-173-124-1	34115-173-124-1	34115-173-124-1
17	1	WEAR RING BRZ.	34115-172-445-4	34115-172-445-4	34115-172-445-4	34115-173-445-1	34115-173-445-1	34115-173-445-1
18	1	DOWEL PIN	21123-076-939-8	21123-076-939-8	21123-076-939-8	21123-076-939-8	21123-076-939-8	21123-076-939-8
20	4	HEX HD. SCREW	10-221	10-223	10-235	10-221	10-223	10-235

SEAL DESIGN 00 00 00 X 00 000000



SEAL PARTS FOR VL 3007 & 4007 – SEAL KITS INCLUDE ITEMS NO. 4, 10, 15 & 21

I T E M #	R E Q	DESCRIPTION	SEAL TYPE B	SEAL TYPE B	SEAL TYPE D	SEAL TYPE D	SEAL TYPE E	SEAL TYPE E	
			FRAME B or C	FRAME D or E/F or G	FRAME B or C	FRAME D or E/F or G	FRAME B or C	FRAME D or E/F or G	
4	1	GASKET	SEE PAGE 1						
10	1	SLEEVE (SS)	950-516	950-517	950-516	950-517	950-516	950-517	
10	1	SLEEVE (BRZ)	950-519	950-520	950-519	950-520	950-519	950-520	
11	1	COVER	37165-421-124-5	37152-123-124-6	37165-421-124-5	37152-123-124-6	37165-421-124-5	37152-123-124-6	
13	1	FITTING	900-798	900-798	900-798	900-798	900-798	900-798	
14	1	TUBE	900-728	900-728	900-728	900-728	900-728	900-728	
15	1	O RING	950-110	950-111	950-110	950-111	950-110	950-111	
19	1	DEFLECTOR	34111-259-005-0	34113-199-005-5	34111-259-005-0	34113-199-005-5	34111-259-005-0	34113-199-005-5	
21	1	SEAL (TYPE B)	950-664	950-665					
21	1	SEAL (TYPE D)			950-667	950-668			
21	1	SEAL (TYPE E)					950-670	950-671	
30	1	SEAL KIT	950-664SRP	950-665SRP					
		(TYPE B)	950-664BRP	950-665BRP					
30	1	SEAL KIT			950-667SRP	950-668SRP			
		(TYPE D)			950-667BRP	950-668BRP			
30	1	SEAL KIT					950-670SRP	950-671SRP	
		(TYPE E)					950-670BRP	950-671BRP	
24	8	STUD	21712-271-950-3	NOT REQUIRED	21712-271-950-3	NOT REQUIRED	21712-271-950-3	NOT REQUIRED	
25	8	NUT	12-112	" "	12-112	" "	12-112	" "	
68	1	FITTING	17-473	17-473	17-473	17-473	17-473	17-473	

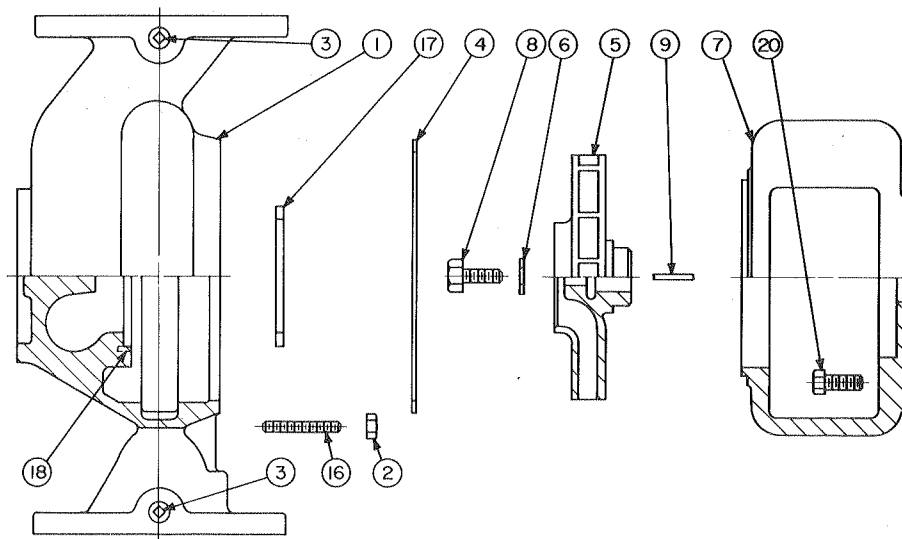
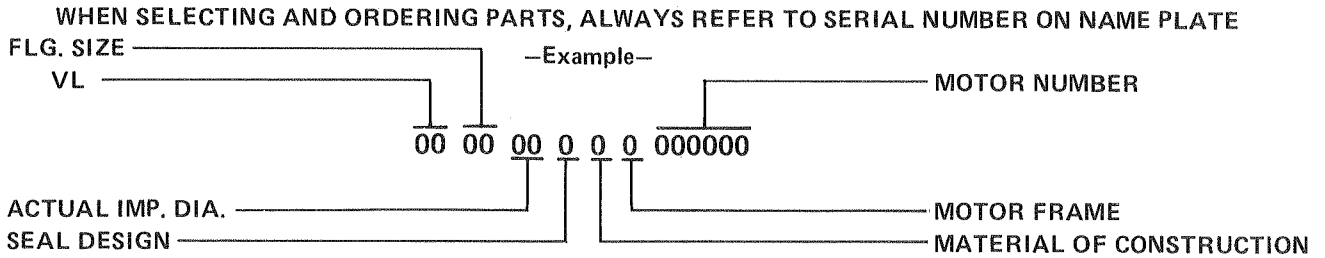


# REPLACEMENT PARTS LIST

FOR FOLLOWING MODEL NUMBERS  
VL 2008 & 2508

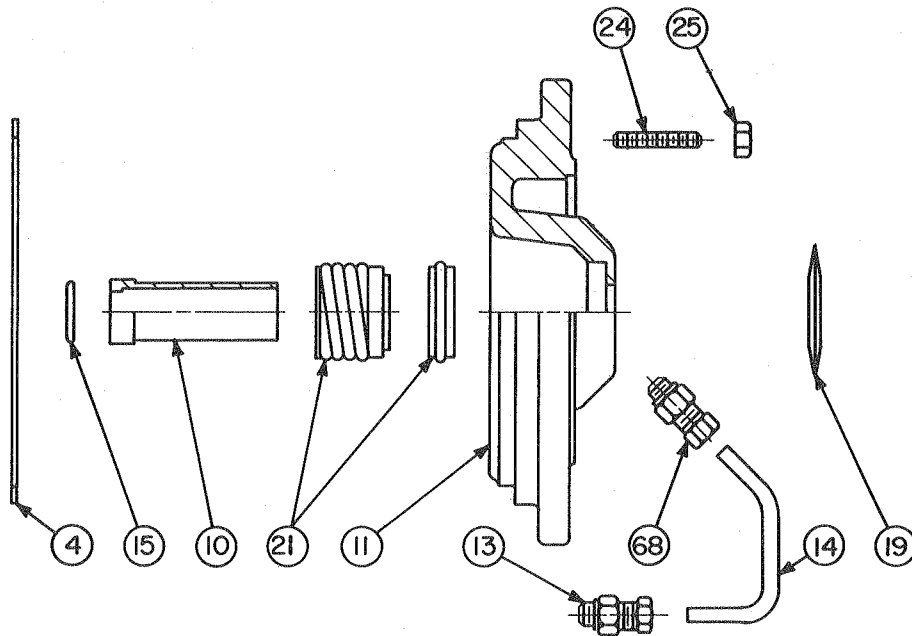
NUMBER  
**304-011**

Effective: April 15, 1987  
Supersedes: 304-011  
dated 5/1/85




I T E M #	R E Q	DESCRIPTION	2008	2008	2508	2508	2508
			FRAME B or C	FRAME D or E/F or G	FRAME B or C	FRAME D or E	FRAME F or G
1	1	CASING	31164-164-124-0	31164-164-124-0	31164-430-124-6	31164-430-124-6	31164-430-124-6
2	8	NUT	12-111	12-111	12-111	12-111	12-111
3	3	1/4" NPT PLUG	16-104	16-104	16-104	16-104	16-104
4	1	GASKET	950-023	950-023	950-023	950-023	950-023
5	1	IMP. C.I.	31635-121-124-2	31635-429-124-7	31677-117-124-5	31677-329-124-0	31677-329-124-0
5	1	IMP. BRZ.	31635-121-445-2	31635-429-445-7	31677-117-445-5	31677-329-445-0	31677-329-445-0
6	1	IMP. WASHER	950-046	950-047	950-046	950-047	950-047
7	1	ADAPTER	37641-118-122-5	37652-109-122-3	37641-118-122-5	37652-109-122-3	37654-117-122-2
8	1	IMP. BOLT	10-257	10-262	10-257	10-262	10-262
9	1	IMP. KEY	13-118	13-119	13-118	13-119	13-119
16	8	STUD	21712-437-950-1	21712-437-950-1	21712-437-950-1	21712-437-950-1	21712-437-950-1
17	1	WEAR RING C.I.	34114-210-124-4	34114-210-124-4	34114-211-124-1	34114-211-124-1	34114-211-124-1
17	1	WEAR RING BRZ.	34114-210-445-4	34114-210-445-4	34114-211-445-1	34114-211-445-1	34114-211-445-1
18	1	DOWEL PIN	21123-076-939-8	21123-076-939-8	21123-076-939-8	21123-076-939-8	21123-076-939-8
20	4	HEX HD. SCREW	10-221	10-223	10-221	10-223	10-235

SEAL DESIGN 00 00 00 X 00 000000



SEAL PARTS FOR VL 2008 & 2508 – SEAL KITS INCLUDE ITEMS NO. 4, 6, 10, 15 & 21

I T E M #	R E Q	DESCRIPTION	SEAL TYPE	SEAL TYPE	SEAL TYPE	SEAL TYPE	SEAL TYPE	SEAL TYPE	
			B FRAME B or C	B FRAME D or E/F or G	D FRAME B or C	D FRAME D or E/F or G	E FRAME B or C	E FRAME D or E/F or G	
4	1	GASKET	SEE PAGE 1						
10	1	SLEEVE (SS)	950-516	950-517	950-516	950-517	950-516	950-517	
10	1	SLEEVE (BRZ)	950-519	950-520	950-519	950-520	950-519	950-520	
11	1	COVER	37165-422-124-2	37165-419-124-6	37165-422-124-2	37165-419-124-6	37165-422-124-2	37165-419-124-6	
13	1	FITTING	900-798	900-798	900-798	900-798	900-798	900-798	
14	1	TUBE	900-728	900-728	900-728	900-728	900-728	900-728	
15	1	O RING	950-110	950-111	950-110	950-111	950-110	950-111	
19	1	DEFLECTOR	34111-259-005-0	34113-199-005-0	34111-259-005-0	34113-199-005-0	34111-259-005-0	34113-199-005-0	
21	1	SEAL (TYPE B)	950-664	950-665					
21	1	SEAL (TYPE D)			950-667	950-668			
21	1	SEAL (TYPE E)					950-670	950-671	
30	1	SEAL KIT (TYPE B)	950-664SRP	950-665SRP					
			950-664BRP	950-665BRP					
30	1	SEAL KIT (TYPE D)			950-667SRP	950-668SRP			
					950-667BRP	950-668BRP			
30	1	SEAL KIT (TYPE E)					950-670SRP	950-671SRP	
							950-670BRP	950-671BRP	
24	8	STUD	21712-271-950-3	21712-332-950-3	21712-271-950-3	21712-332-950-3	21712-271-950-3	21712-332-950-3	
25	8	NUT	12-112	12-110	12-112	12-110	12-112	12-110	
68	1	FITTING	17-473	17-473	17-473	17-473	17-473	17-473	

	<b>REPLACEMENT PARTS LIST</b>
	Effective: April 15, 1987 Supersedes: 304-012 dated 5/1/85
NUMBER <b>304-012</b>	

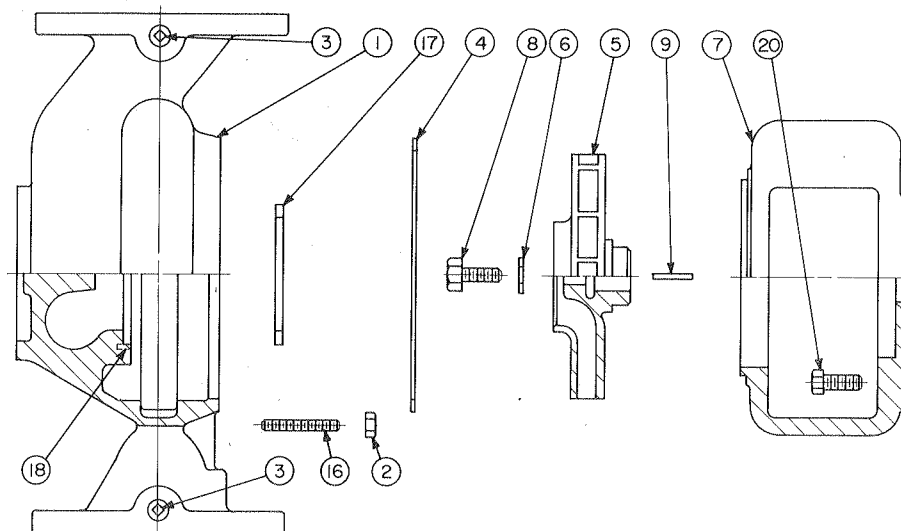
**FOR FOLLOWING MODEL NUMBERS  
VL 3008 & 5008**

WHEN SELECTING AND ORDERING PARTS, ALWAYS REFER TO SERIAL NUMBER ON NAME PLATE

—Example—

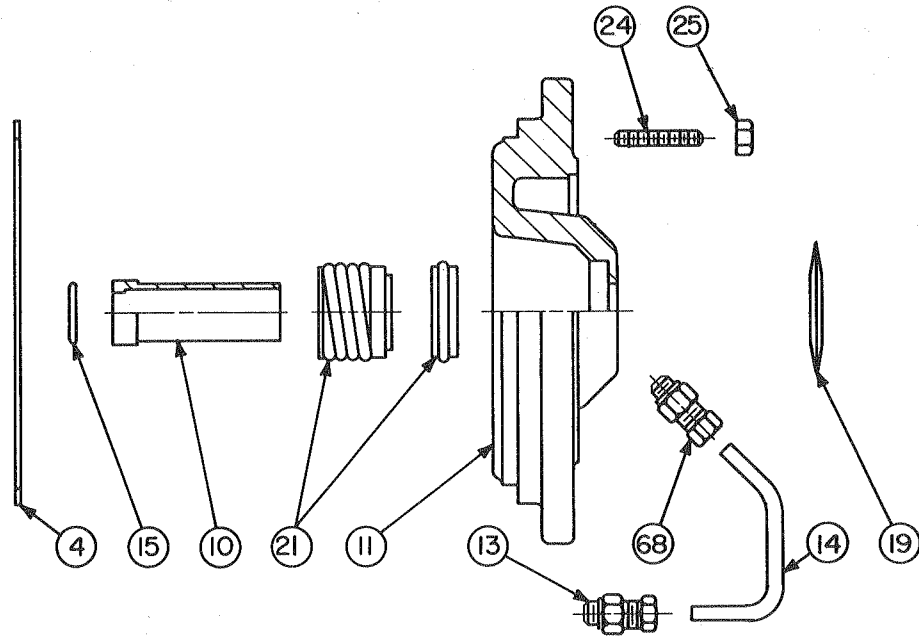
FLG. SIZE — VL —  
 OO OO OO O O O 000000  
 ACTUAL IMP. DIA. —  
 SEAL DESIGN —

MOTOR NUMBER  
 MOTOR FRAME  
 MATERIAL OF CONSTRUCTION



I T E M #	R E Q	DESCRIPTION	3008	3008	3008	5008	5008
			FRAME B or C	FRAME D or E	FRAME F or G	FRAME B or C/F or G	FRAME D or E
1	1	CASING	31164-759-124-8	31164-759-124-8	31164-759-124-8	NOT AVAILABLE	31165-135-124-1
2	8	NUT	12-111	12-111	12-111	" "	12-111
3	3	1/4" NPT PLUG	16-104	16-104	16-104	" "	16-104
4	1	GASKET	950-023	950-023	950-023	" "	950-023
5	1	IMP. C.I.	31681-347-124-9	31681-343-124-1	31681-343-124-1	" "	31682-327-124-8
5	1	IMP. BRZ.	31681-347-445-9	31681-343-445-1	31681-343-445-1	" "	31682-327-445-8
6	1	IMP. WASHER	950-046	950-047	950-047	" "	950-047
7	1	ADAPTER	37641-118-122-5	37652-109-122-3	37654-117-122-2	" "	37654-118-122-9
8	1	IMP. BOLT	10-257	10-262	10-262	" "	10-262
9	1	IMP. KEY	13-118	13-119	13-119	" "	13-105
16	8	STUD	21712-437-950-1	21712-437-950-1	21712-437-950-1	" "	21712-448-950-3
17	1	WEAR RING C.I.	34115-172-124-4	34115-172-124-4	34115-172-124-4	" "	34115-174-124-8
17	1	WEAR RING BRZ.	34115-172-445-4	34115-172-445-4	34115-172-445-4	" "	34115-174-445-8
18	1	DOWEL PIN	21123-076-939-8	21123-076-939-8	21123-076-939-8	" "	21123-076-939-8
20	4	HEX HD. SCREW	10-221	10-223	10-235	" "	10-223

SEAL DESIGN OO OO OO X OO OOOOOO



SEAL PARTS FOR VL 3008 & 5008 – SEAL KITS INCLUDE ITEMS NO. 4, 6, 10, 15 & 21

ITEM #	REQ	DESCRIPTION	SEAL TYPE B	SEAL TYPE B	SEAL TYPE D	SEAL TYPE D	SEAL TYPE E	SEAL TYPE E		
			FRAME B or C	FRAME D or E/F or G	FRAME B or C	FRAME D or E/F or G	FRAME B or C	FRAME D or E/F or G		
4	1	GASKET	SEE PAGE 1							
10	1	SLEEVE (SS)	950-516	950-517	950-516	950-517	950-516	950-517		
10	1	SLEEVE (BRZ)	950-519	950-520	950-519	950-520	950-519	950-520		
11	1	COVER	37165-422-124-2	37165-419-124-6	37165-422-124-2	37165-419-124-6	37165-422-124-2	37165-419-124-6		
13	1	FITTING	900-798	900-798	900-798	900-798	900-798	900-798		
14	1	TUBE	900-728	900-728	900-728	900-728	900-728	900-728		
15	1	O RING	950-110	950-111	950-110	950-111	950-110	950-111		
19	1	DEFLECTOR	34111-259-005-0	34113-199-005-5	34111-259-005-0	34113-199-005-5	34111-259-005-0	34113-199-005-5		
21	1	SEAL (TYPE B)	950-664	950-665						
21	1	SEAL (TYPE D)			950-667	950-668				
21	1	SEAL (TYPE E)					950-670	950-671		
30	1	SEAL KIT	950-664SRP	950-665SRP						
		(TYPE B)	950-664BRP	950-665BRP						
30	1	SEAL KIT			950-667SRP	950-668SRP				
		(TYPE D)			950-667BRP	950-668BRP				
30	1	SEAL KIT					950-670SRP	950-671SRP		
		(TYPE E)					950-670BRP	950-671BRP		
24	8	STUD	21712-271-950-3	21712-332-950-3	21712-271-950-3	21712-332-950-3	21712-271-950-3	21712-332-950-3		
25	8	NUT	12-112	12-110	12-112	12-110	12-112	12-110		
68	1	FITTING	17-473	17-473	17-473	17-473	17-473	17-473		



REPLACEMENT  
PARTS  
LIST

FOR FOLLOWING MODEL  
NUMBERS  
VL 2510 & 3010

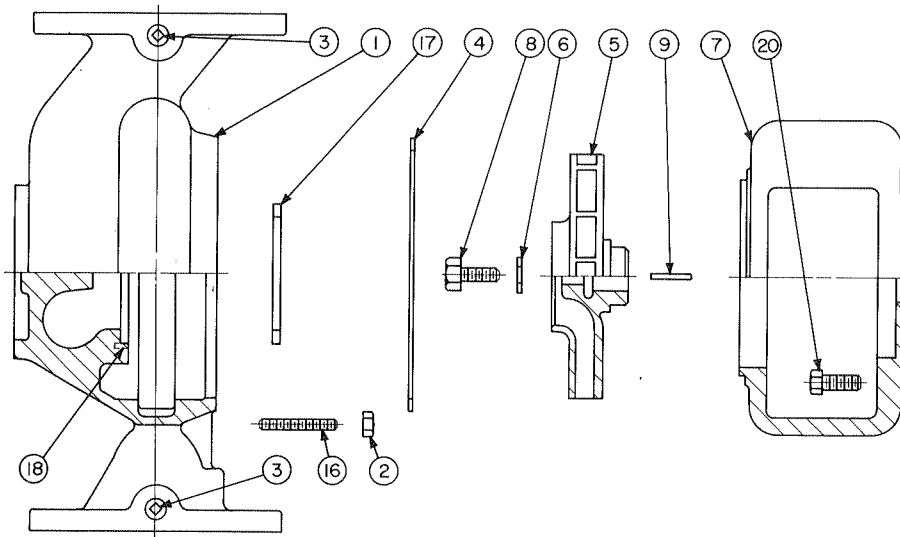
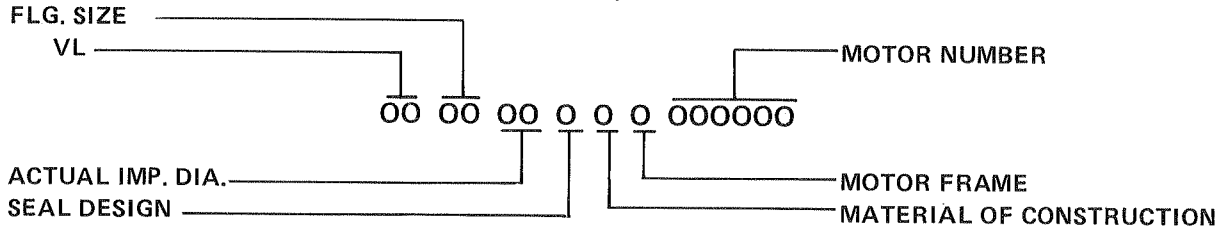
NUMBER

**304-013**

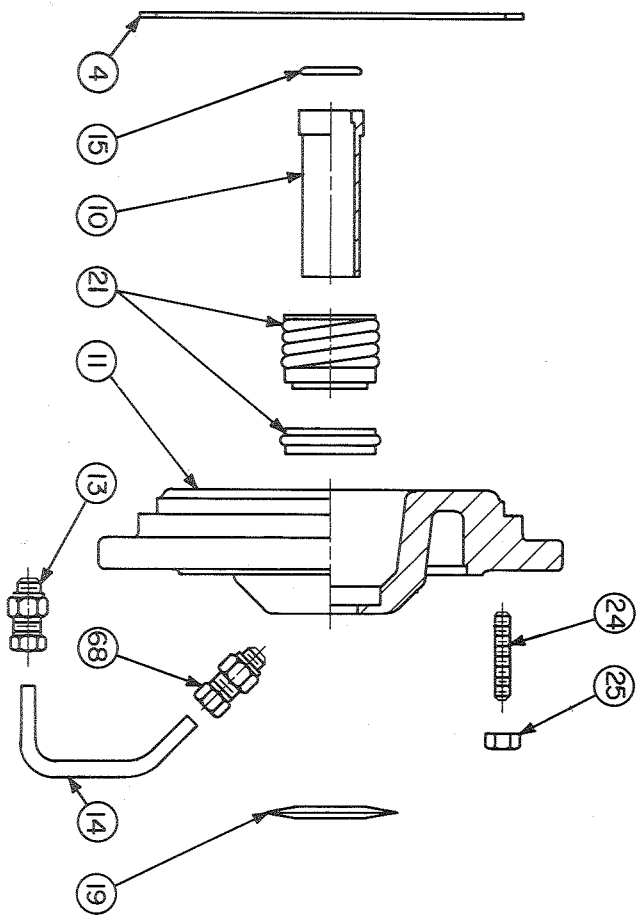
Effective: April 15, 1987  
Supersedes: 304-013  
dated 5/1/85

WHEN SELECTING AND ORDERING PARTS, ALWAYS REFER TO SERIAL NUMBER ON NAME PLATE

—Example—

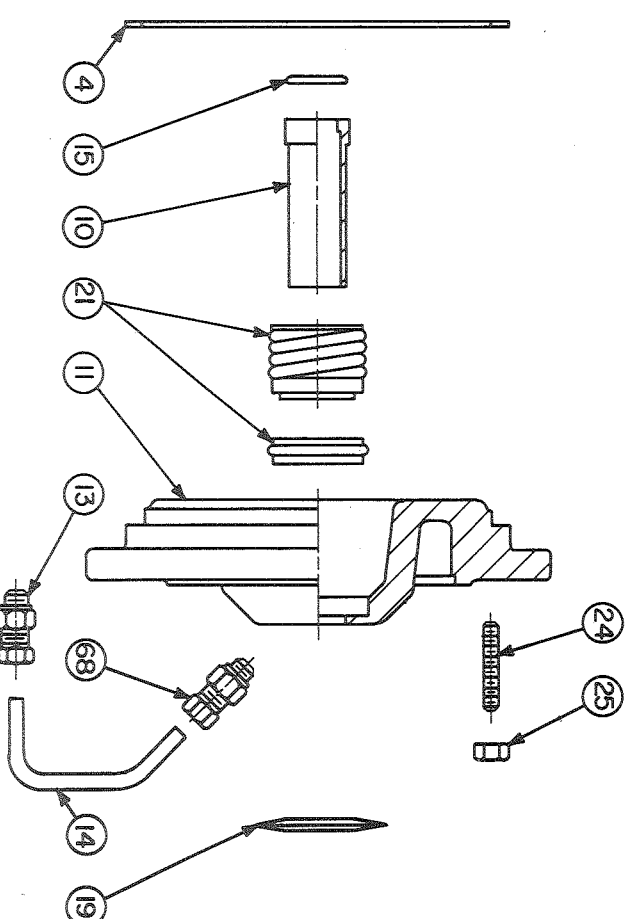


I T E M #	R E Q U I R E D	DESCRIPTION	2510	2510	3010	3010
			FRAME B or C	FRAME D or E	FRAME B or C/F or G	FRAME D or E
1	1	CASING	31164-434-124-4	31164-434-124-4	NOT AVAILABLE	31164-435-124-7
2	12	NUT	12-111	12-111	" "	12-111
3	3	¼" NPT PLUG	16-104	16-104	" "	16-104
4	1	GASKET	950-119	950-119	" "	950-119
5	1	IMP. C.I.	31677-545-124-8	31677-543-124-4	" "	31681-541-124-3
5	1	IMP. BRZ.	31677-545-445-8	31677-543-445-4	" "	31681-541-445-3
6	1	IMP. WASHER	950-046	950-047	" "	950-047
7	1	ADAPTER	37652-115-122-0	37652-109-122-3	" "	37654-118-122-9
8	1	IMP. BOLT	10-257	10-262	" "	10-262
9	1	IMP. KEY	13-118	13-119	" "	13-105
16	12	STUD	21712-437-950-1	21712-437-950-1	" "	21712-437-950-1
17	1	WEAR RING C.I.	34115-172-124-4	34115-172-124-4	" "	34115-172-124-4
17	1	WEAR RING BRZ.	34115-172-445-4	34115-172-445-4	" "	34115-172-445-4
18	1	DOWEL PIN	21123-076-939-8	21123-076-939-8	" "	21123-076-939-8
20	4	HEX HD. SCREW	10-221	10-221	" "	10-221



SEAL PARTS FOR VL 2510 - SEAL KITS INCLUDE ITEMS NO. 4, 6, 10, 15 & 21

ITEM #	DESCRIPTION	SEAL TYPE B		SEAL TYPE D		SEAL TYPE E	
		FRAME B or C	FRAME D or E	FRAME B or C	FRAME D or E	FRAME B or C	FRAME D or E
4	GASKET						
10	SLEEVE (SS)	950-516	950-517	950-516	950-517	950-516	950-517
10	SLEEVE (BRZ)	950-519	950-520	950-519	950-520	950-519	950-520
11	COVER	37165-427-124-7	37165-418-124-9	37165-427-124-7	37165-418-124-9	37165-427-124-7	37165-418-124-9
13	FITTING	900-798	900-798	900-798	900-798	900-798	900-798
14	TUBE	900-728	900-728	900-728	900-728	900-728	900-728
15	O RING	950-110	950-111	950-110	950-111	950-110	950-111
19	DEFLECTOR	34111-259-005-0	34113-199-005-5	34111-259-005-0	34113-199-005-5	34111-259-005-0	34113-199-005-5
21	SEAL (TYPE B)	950-664	950-665				
21	SEAL (TYPE D)			950-667	950-668		
21	SEAL (TYPE E)					950-670	950-671
30	SEAL KIT (TYPE B)	950-664SRP	950-665SRP				
30	SEAL KIT (TYPE D)			950-667SRP	950-668SRP		
30	SEAL KIT (TYPE E)			950-667SRP	950-668SRP	950-670SRP	950-671SRP
24	STUD	21712-334-950-7	21712-334-950-7	21712-334-950-7	21712-334-950-7	21712-334-950-7	21712-334-950-7
25	NUT	12-110	12-110	12-110	12-110	12-110	12-110
68	FITTING	17-473	17-473	17-473	17-473	17-473	17-473



SEAL PARTS FOR VL 3010 - SEAL KITS INCLUDE ITEMS NO. 4, 6, 10, 15 & 21

ITEM #	DESCRIPTION	SEAL TYPE B		SEAL TYPE D		SEAL TYPE E	
		FRAME B or C/F or G	FRAME D or E	FRAME B or C/F or G	FRAME D or E	FRAME B or C/F or G	FRAME D or E
4	GASKET	NOT AVAIL.	950-119	NOT AVAIL.	950-119	NOT AVAIL.	950-119
10	SLEEVE (SS)	"	950-517	"	950-517	"	950-517
10	SLEEVE (BRZ)	"	950-520	"	950-520	"	950-520
11	COVER	"	37165-423-124-9	"	37165-423-124-9	"	37165-423-124-9
13	FITTING	"	900-798	"	900-798	"	900-798
14	TUBE	"	900-728	"	900-728	"	900-728
15	O RING	"	950-111	"	950-111	"	950-111
19	DEFLECTOR	"	34113-199-005-5	"	34113-199-005-5	"	34113-199-005-5
21	SEAL (TYPE B)	"	950-665	"		"	
21	SEAL (TYPE D)	"		"	950-668	"	
21	SEAL (TYPE E)	"		"		"	950-671
30	SEAL KIT (TYPE B)	"	950-665SRP	"		"	
30	SEAL KIT (TYPE D)	"		"	950-668SRP	"	
30	SEAL KIT (TYPE E)	"		"	950-668SRP	"	950-671SRP
24	STUD	"	21712-437-950-1	"	21712-437-950-1	"	21712-437-950-1
25	NUT	"	12-111	"	12-111	"	12-111
68	FITTING	"	17-473	"	17-473	"	17-473

Taco, Inc. 1160 Cranston Street, Cranston, Rhode Island 02920 Telephone: (401) 942-8000 Telex: 92-7627

Litho in U.S.A.

Taco (Canada) Limited 1310 Aimco Blvd., Mississauga, Ontario L4W 1B2 Telephone: 416-625-2160 Telex: 06-961179