



Submittal Data Information

FE Series Pumps

301-818

EFFECTIVE: October 6, 2000

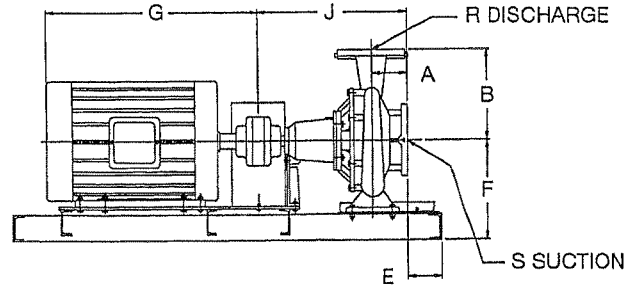
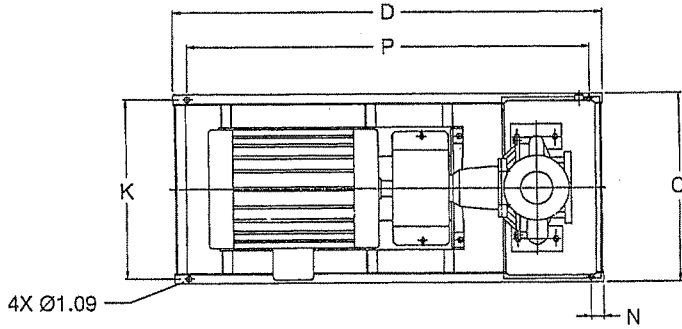
SUPERSEDES: 301-818 December 1, 1999

1760 RPM MODEL 1508

JOB _____ ENGINEER _____ CONTRACTOR _____ REP. _____

ITEM NO.	MODEL NO.	IMPELLER DIA.	G.P.M.	HEAD/FT.	H.P.	ELEC. CHARS.
----------	-----------	---------------	--------	----------	------	--------------

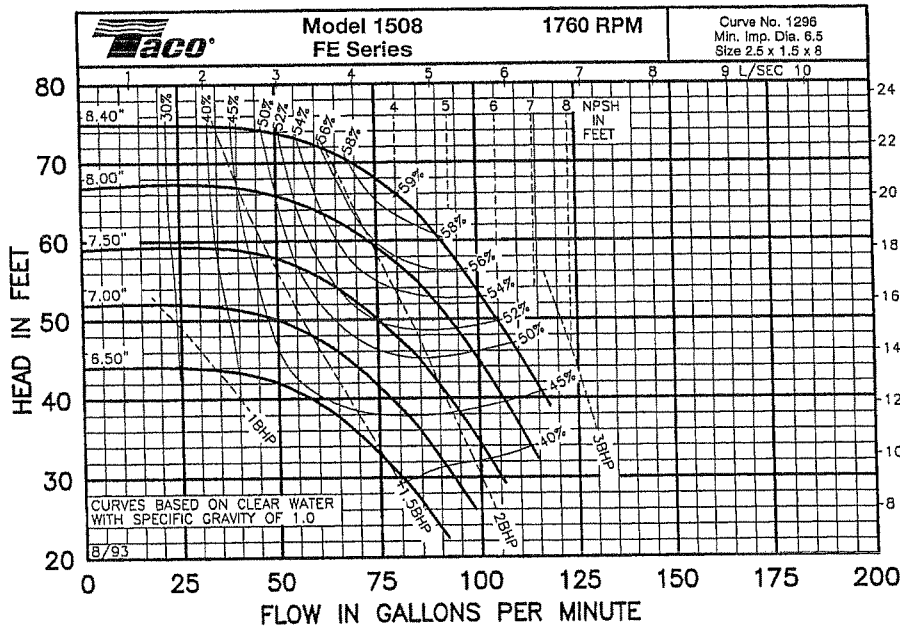
WEIGHT _____ PUMP/MOTOR _____



50 Cycle Performance Curves attached when applicable.

Model No.	HP	Motor Frame	A	B	C	D	E	F	J	K	N	P	R	S
1508	1	143T	3.74 (95)	6.89 (175)	21.17 (538)	42.00 (1067)	4.15 (105)	10.61 (269)	16.42 (417)	19.67 (500)	2.00 (51)	38.00 (965)	1.50 (38)	2.50 (64)
	1.5	145T												
	2	145T												
	3	182T												
	5	184T												

English dimensions are in inches. Metric dimensions are in millimeters. Metric data is presented in ().



Item	BRONZE FITTED		ALL IRON	
	Std. Pump Constr.	Optional	Standard	Optional
Casing	Cast Iron ASTM A48 Class 35	N/A	Cast Iron ASTM A48 Class 35	N/A
Impeller	Bronze ASTM B584-C836	CF	CF	CF
Wear Ring	Bronze ASTM B584-C836	CF	CF	CF
Shaft	Carbon Steel AISI 1045	St. Steel AISI 416 ASTM A582	Carbon Steel AISI 1045	St. Steel AISI 416 ASTM A582
Shaft Sleeve	Bronze SAE660 B584-C932	St. Steel AISI 303 ASTM A276	St. Steel AISI 303 ASTM A276	CF
Mech. Seal	Ceramic/EPT	Tungsten Carbide/EPT/Viton	Ceramic/EPT	Tungsten Carbide/EPT/Viton
Seal Flush Line	N/A	Copper	N/A	Stainless Steel

OPERATING SPECIFICATIONS		
	Standard	Optional
Pressure	175 PSIG*	CF
Temperature: Mechanical Seal	250°F	CF

Motors: All NEMA Standard (T or TS)
 * In accordance with ANSI Standard B16.1 Class 125
 CF - Consult Factory N/A - Not Available
 Note: Variable speed applications, consult factory.

ADDITIONAL FEATURES	
Filters	Cuno 5 Micron
Separators	Kynar Cyclone Separator
Couplings	Spacer Type

Comments: _____

Do it Once. Do it Right.

TACO, INC., 1160 Cranston Street, Cranston, RI 02920 Telephone: (401) 942-8000 FAX: (401) 942-2360.
 TACO (Canada), Ltd., 6180 Ordan Drive, Mississauga, Ontario L5T 2B3. Telephone: 905/564-9422. FAX: 905/564-9436.

Visit our web site at: <http://www.taco-hvac.com>

Printed in USA

Copyright 2000

TACO, Inc.



Submittal Data Information

FE Series Pumps

301-821

EFFECTIVE: October 6, 2000

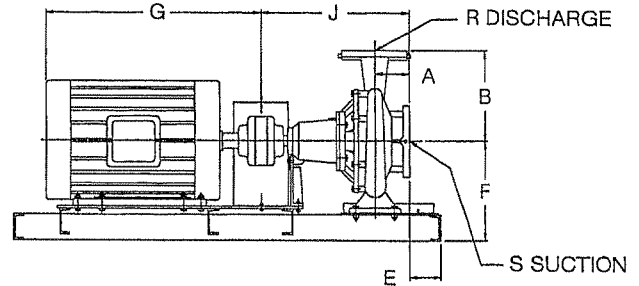
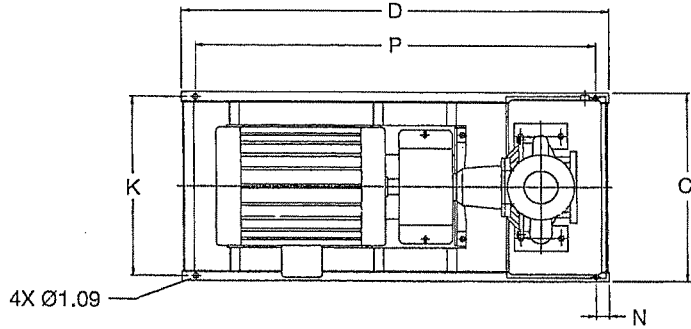
SUPERSEDES: 301-821 December 1, 1999

1760 RPM MODEL 2007

JOB _____ ENGINEER _____ CONTRACTOR _____ REP. _____

ITEM NO.	MODEL NO.	IMPELLER DIA.	G.P.M.	HEAD/FT.	H.P.	ELEC. CHARS.
----------	-----------	---------------	--------	----------	------	--------------

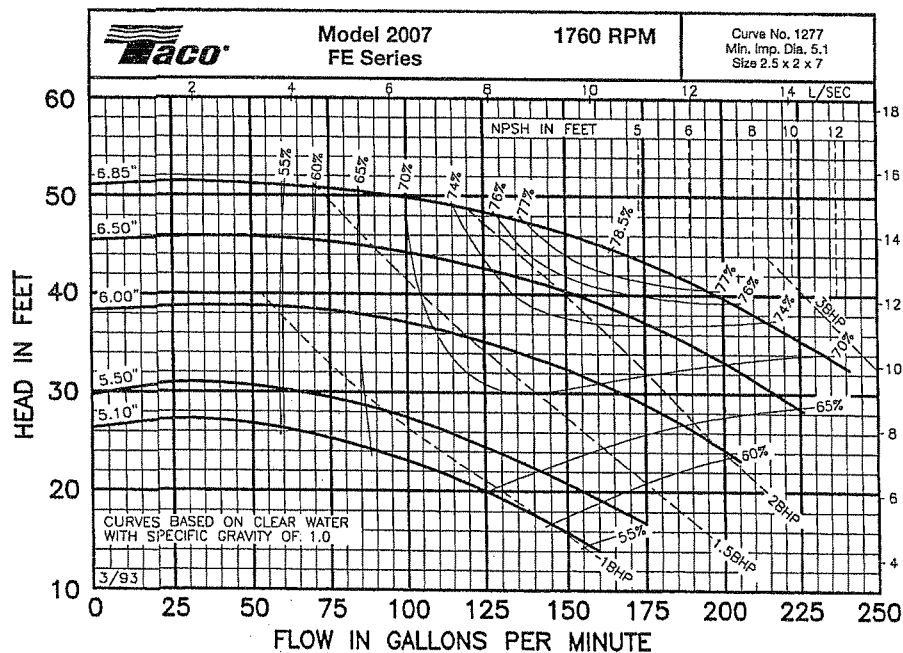
WEIGHT _____ PUMP/MOTOR _____



50 Cycle Performance Curves attached when applicable.

Model No.	HP	Motor Frame	A	B	C	D	E	F	J	K	N	P	R	S
2007	1	143T	3.74 (95)	6.89 (175)	21.17 (538)	42.00 (1067)	4.15 (105)	10.61 (269)	16.42 (417)	19.67 (500)	2.00 (51)	38.00 (965)	2.00 (51)	2.50 (64)
	1.5	145T												
	2	145T												
	3	182T												

English dimensions are in inches. Metric dimensions are in millimeters. Metric data is presented in ().



Item	BRONZE FITTED		ALL IRON	
	Std. Pump Constr.	Optional	Standard	Optional
Casing	Cast Iron ASTM A48 Class 35	N/A	Cast Iron ASTM A48 Class 35	N/A
Impeller	Bronze ASTM B584-C836	CF	CF	CF
Wear Ring	Bronze ASTM B584-C836	CF	CF	CF
Shaft	Carbon Steel AISI 1045	St. Steel AISI 416 ASTM A582	Carbon Steel AISI 1045	St. Steel AISI 416 ASTM A582
Shaft Sleeve	Bronze SAE660 B584-C932	St. Steel AISI 303 ASTM A276	St. Steel AISI 303 ASTM A276	CF
Mech. Seal	Ceramic/EPT	Tungsten Carbide/EPT/Viton	Ceramic/EPT	Tungsten Carbide/EPT/Viton
Seal Flush Line	N/A	Copper	N/A	Stainless Steel

OPERATING SPECIFICATIONS		
	Standard	Optional
Pressure	175 PSIG*	CF
Temperature: Mechanical Seal	250°F	CF

Motors: All NEMA Standard (T or TS)
 * In accordance with ANSI Standard B16.1 Class 125
 CF - Consult Factory N/A - Not Available
 Note: Variable speed applications, consult factory.

ADDITIONAL FEATURES	
Filters	Cuno 5 Micron
Separators	Kynar Cyclone Separator
Couplings	Spacer Type

Comments: _____

Do it Once. Do it Right.

TACO, INC., 1160 Cranston Street, Cranston, RI 02920 Telephone: (401) 942-8000 FAX: (401) 942-2360.
 TACO (Canada), Ltd., 6180 Ordan Drive, Mississauga, Ontario L5T 2B3. Telephone: 905/564-9422. FAX: 905/564-9436.

Visit our web site at: <http://www.taco-hvac.com>

Printed in USA
 Copyright 2000
 TACO, Inc.



Submittal Data Information

FE Series Pumps

301-825

EFFECTIVE: October 6, 2000

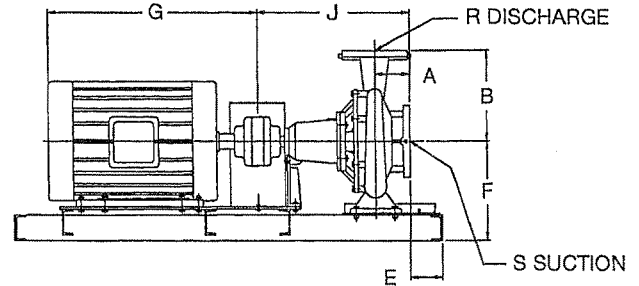
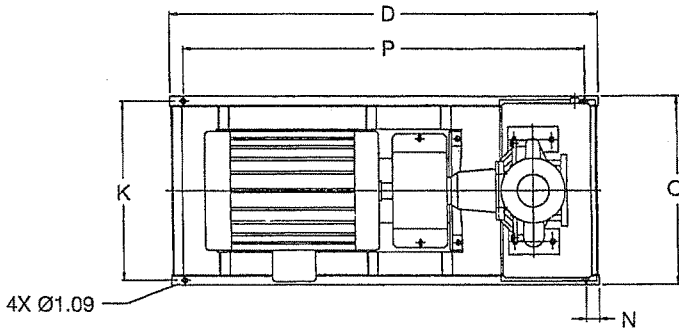
SUPERSEDES: 301-825 December 1, 1999

1760 RPM MODEL 2507

JOB _____ ENGINEER _____ CONTRACTOR _____ REP. _____

ITEM NO.	MODEL NO.	IMPELLER DIA.	G.P.M.	HEAD/FT.	H.P.	ELEC. CHARS.
----------	-----------	---------------	--------	----------	------	--------------

WEIGHT _____ PUMP/MOTOR _____

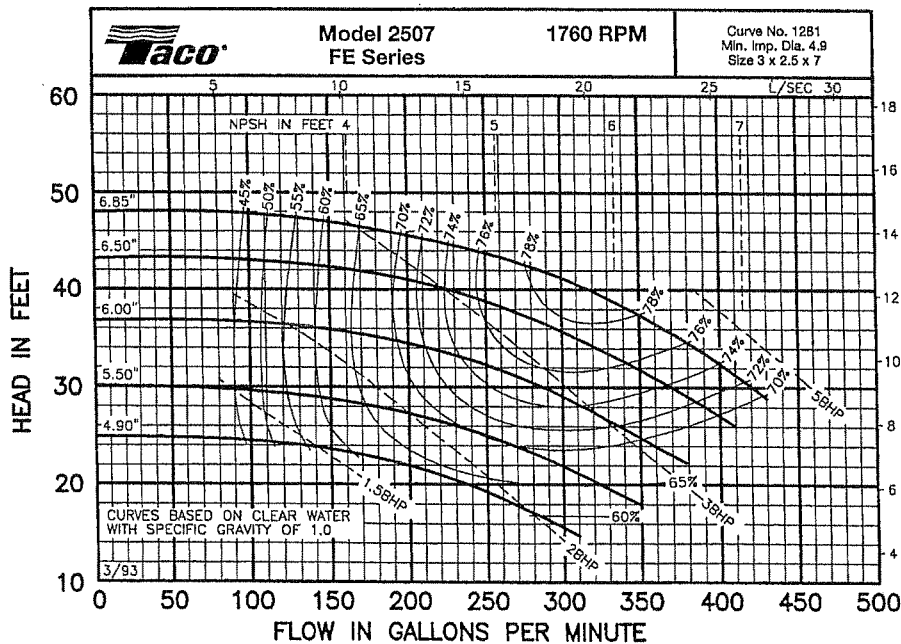


50 Cycle Performance Curves attached when applicable.

Model No.	HP	Motor Frame	A	B	C	D	E	F	J	K	N	P	R	S
2507	1	143T	3.74 (95)	7.68 (195)	21.17 (538)	45.00 (1143)	5.02 (128)	10.61 (269)	20.39 (518)	19.67 (500)	2.00 (51)	41.00 (1041)	2.50 (64)	3.00 (76)
	1.5	145T												
	2	145T												
	3	182T												
	5	184T												

English dimensions are in inches. Metric dimensions are in millimeters. Metric data is presented in ().

Item	BRONZE FITTED		ALL IRON	
	Std. Pump Constr.	Optional	Standard	Optional
Casing	Cast Iron ASTM A48 Class 35	N/A	Cast Iron ASTM A48 Class 35	N/A
Impeller	Bronze ASTM B584-C836	CF	CF	CF
Wear Ring	Bronze ASTM B584-C836	CF	CF	CF
Shaft	Carbon Steel AISI 1045	St. Steel AISI 416 ASTM A582	Carbon Steel AISI 1045	St. Steel AISI 416 ASTM A582
Shaft Sleeve	Bronze SAE660 B584-C932	St. Steel AISI 303 ASTM A276	St. Steel AISI 303 ASTM A276	CF
Mech. Seal	Ceramic/EPT	Tungsten Carbide/EPT/Viton	Ceramic/EPT	Tungsten Carbide/EPT/Viton
Seal Flush Line	N/A	Copper	N/A	Stainless Steel



OPERATING SPECIFICATIONS		
	Standard	Optional
Pressure	175 PSIG*	CF
Temperature: Mechanical Seal	250°F	CF

Motors: All NEMA Standard (T or TS)
 * In accordance with ANSI Standard B16.1 Class 125
 CF - Consult Factory N/A - Not Available
 Note: Variable speed applications, consult factory.

ADDITIONAL FEATURES	
Filters	Cuno 5 Micron
Separators	Kynar Cyclone Separator
Couplings	Spacer Type

Comments: _____

Do it Once. Do it Right.

TACO, INC., 1160 Cranston Street, Cranston, RI 02920 Telephone: (401) 942-8000 FAX: (401) 942-2360.
 TACO (Canada), Ltd., 6180 Ordan Drive, Mississauga, Ontario L5T 2B3. Telephone: 905/564-9422. FAX: 905/564-9436.

Visit our web site at: <http://www.taco-hvac.com>

Printed in USA

Copyright 2000

TACO, Inc.



Submittal Data Information

FE Series Pumps

301-824

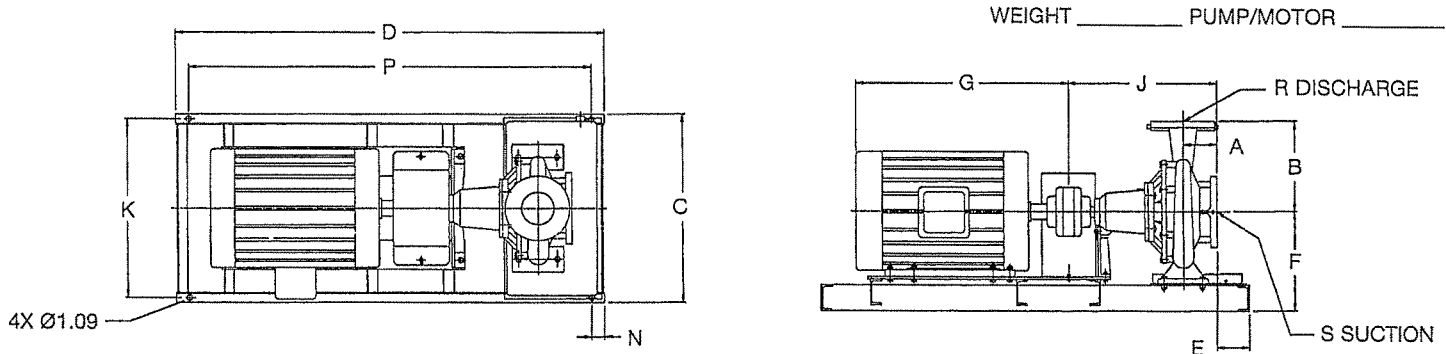
EFFECTIVE: October 6, 2000

SUPERSEDES: 301-824 December 1, 1999

1760 RPM MODEL 2506

JOB _____ ENGINEER _____ CONTRACTOR _____ REP. _____

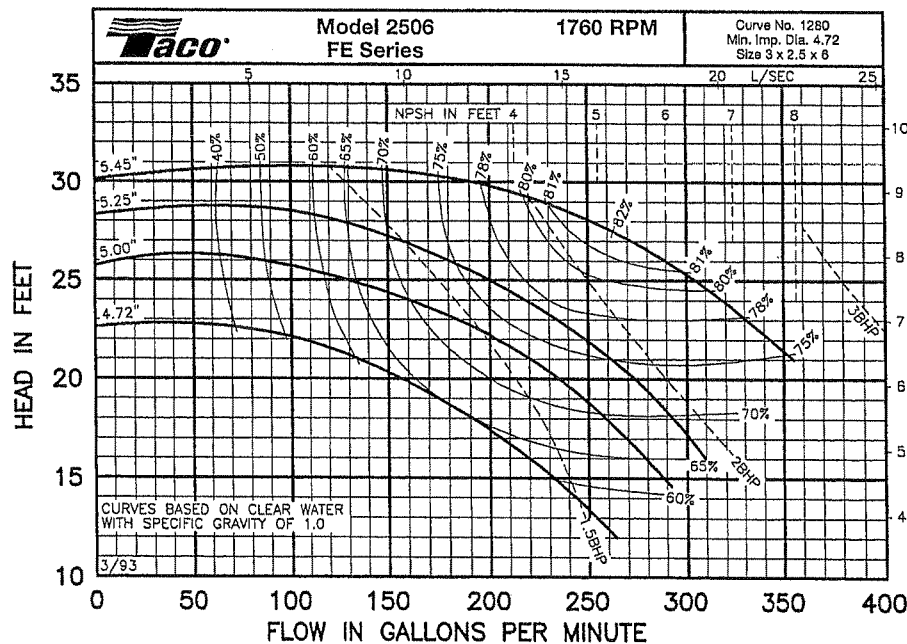
ITEM NO.	MODEL NO.	IMPELLER DIA.	G.P.M.	HEAD/FT.	H.P.	ELEC. CHARS.
----------	-----------	---------------	--------	----------	------	--------------



50 Cycle Performance Curves attached when applicable.

Model No.	HP	Motor Frame	A	B	C	D	E	F	J	K	N	P	R	S
2506	1	143T	3.74 (95)	6.89 (175)	21.17 (538)	42.00 (1067)	4.15 (105)	10.61 (269)	16.42 (417)	19.67 (500)	2.00 (51)	38.00 (965)	2.50 (64)	3.00 (76)
	1.5	145T												
	2	145T												
	3	182T												
	5	184T												

English dimensions are in inches. Metric dimensions are in millimeters. Metric data is presented in ().



Item	BRONZE FITTED		ALL IRON	
	Std. Pump Constr.	Optional	Standard	Optional
Casing	Cast Iron ASTM A48 Class 35	N/A	Cast Iron ASTM A48 Class 35	N/A
Impeller	Bronze ASTM B584-C836	CF	CF	CF
Wear Ring	Bronze ASTM B584-C836	CF	CF	CF
Shaft	Carbon Steel AISI 1045	St. Steel AISI 416 ASTM A582	Carbon Steel AISI 1045	St. Steel AISI 416 ASTM A582
Shaft Sleeve	Bronze SAE660 B584-C932	St. Steel AISI 303 ASTM A276	St. Steel AISI 303 ASTM A276	CF
Mech. Seal	Ceramic/EPT	Tungsten Carbide/EPT/Viton	Ceramic/EPT	Tungsten Carbide/EPT/Viton
Seal Flush Line	N/A	Copper	N/A	Stainless Steel

OPERATING SPECIFICATIONS		
	Standard	Optional
Pressure	175 PSIG*	CF
Temperature: Mechanical Seal	250°F	CF

Motors: All NEMA Standard (T or TS)
 * In accordance with ANSI Standard B16.1 Class 125
 CF - Consult Factory N/A - Not Available
 Note: Variable speed applications, consult factory.

ADDITIONAL FEATURES	
Filters	Cuno 5 Micron
Separators	Kynar Cyclone Separator
Couplings	Spacer Type

Comments: _____

Do it Once. Do it Right.

TACO, INC., 1160 Cranston Street, Cranston, RI 02920 Telephone: (401) 942-8000 FAX: (401) 942-2360.
 TACO (Canada), Ltd., 6180 Ordan Drive, Mississauga, Ontario L5T 2B3. Telephone: 905/564-9422. FAX: 905/564-9436.
 Visit our web site at: <http://www.taco-hvac.com>

Printed in USA
 Copyright 2000
 TACO, Inc.



Submittal Data Information

FE Series Pumps

301-827

EFFECTIVE: October 6, 2000

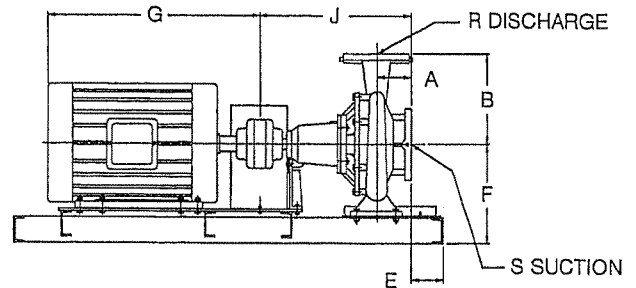
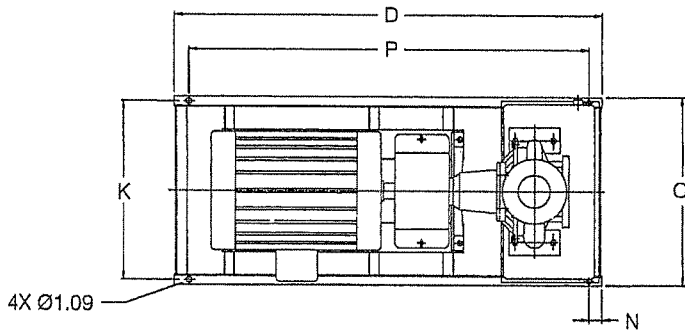
SUPERSEDES: 301-827 June 15, 2000

1760 RPM MODEL 2510

JOB _____ ENGINEER _____ CONTRACTOR _____ REP. _____

ITEM NO.	MODEL NO.	IMPELLER DIA.	G.P.M.	HEAD/FT.	H.P.	ELEC. CHARS.
----------	-----------	---------------	--------	----------	------	--------------

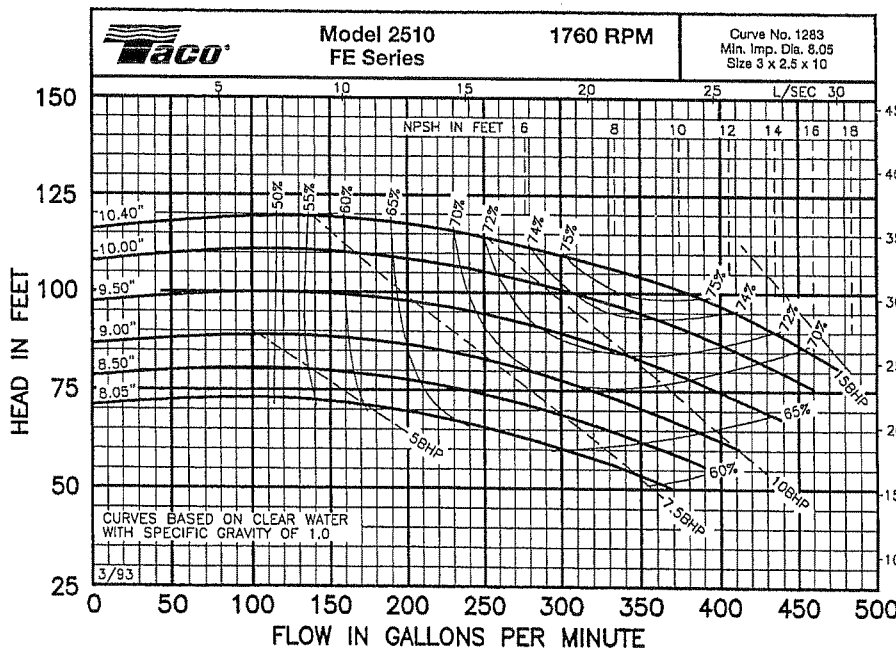
WEIGHT _____ PUMP/MOTOR _____



50 Cycle Performance Curves attached when applicable.

Model No.	HP	Motor Frame	A	B	C	D	E	F	J	K	N	P	R	S
2510	5	184T	3.74 (95)	9.65 (245)	23.17 (589)	54.00 (1372)	4.04 (103)	12.18 (309)	20.39 (518)	21.67 (550)	2.00 (51)	50.00 (1270)	2.50 (64)	3.00 (76)
	7.5	213T												
	10	215T												
	15	254T												

English dimensions are in inches. Metric dimensions are in millimeters. Metric data is presented in ().



Item	BRONZE FITTED		ALL IRON	
	Std. Pump Constr.	Optional	Standard	Optional
Casing	Cast Iron ASTM A48 Class 35	N/A	Cast Iron ASTM A48 Class 35	N/A
Impeller	Bronze ASTM B584-C836	CF	CF	CF
Wear Ring	Bronze ASTM B584-C836	CF	CF	CF
Shaft	Carbon Steel AISI 1045	St. Steel AISI 416	Carbon Steel AISI 1045	St. Steel AISI 416
Shaft Sleeve	Bronze SAE660 B584-C832	St. Steel AISI 303	St. Steel AISI 303	CF
Mech. Seal	Ceramic/EPT	Tungsten Carbide/EPT/Viton	Ceramic/EPT	Tungsten Carbide/EPT/Viton
Seal Flush Line	N/A	Copper	N/A	Stainless Steel

OPERATING SPECIFICATIONS		
	Standard	Optional
Pressure	175 PSIG*	CF
Temperature: Mechanical Seal	250°F	CF

Motors: All NEMA Standard (T or TS)
* In accordance with ANSI Standard B16.1 Class 125
CF - Consult Factory N/A - Not Available
Note: Variable speed applications, consult factory.

ADDITIONAL FEATURES	
Filters	Cuno 5 Micron
Separators	Kynar Cyclone Separator
Couplings	Spacer Type

Comments: _____

Do it Once. Do it Right.

TACO, INC., 1160 Cranston Street, Cranston, RI 02920 Telephone: (401) 942-8000 FAX: (401) 942-2360.
TACO (Canada), Ltd., 6180 Ordan Drive, Mississauga, Ontario L5T 2B3. Telephone: 905/564-9422. FAX: 905/564-9436.

Visit our web site at: <http://www.taco-hvac.com>

Printed in USA
Copyright 2000
TACO, Inc.



Submittal Data Information

FE Series Pumps

301-830

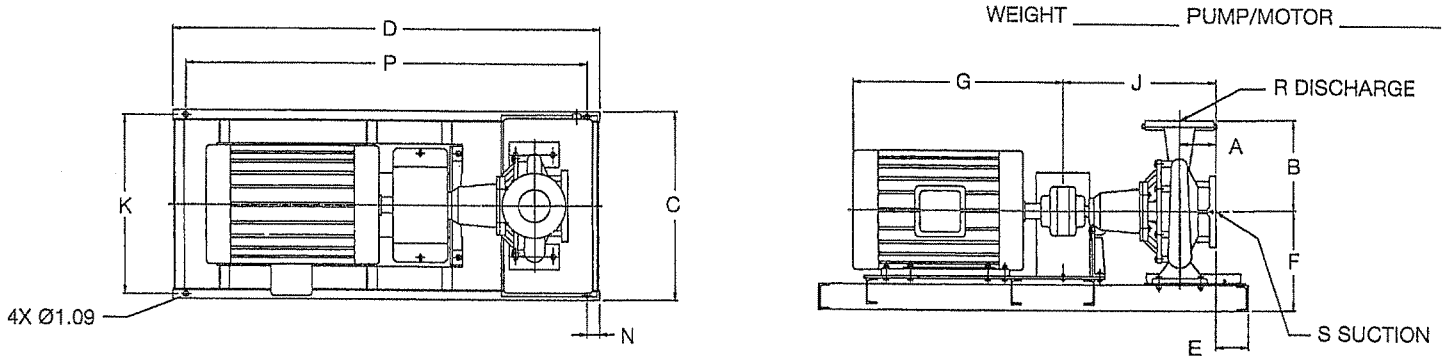
EFFECTIVE: October 6, 2000

SUPERSEDES: 301-830 December 1, 1999

1760 RPM MODEL 3008

JOB _____ ENGINEER _____ CONTRACTOR _____ REP. _____

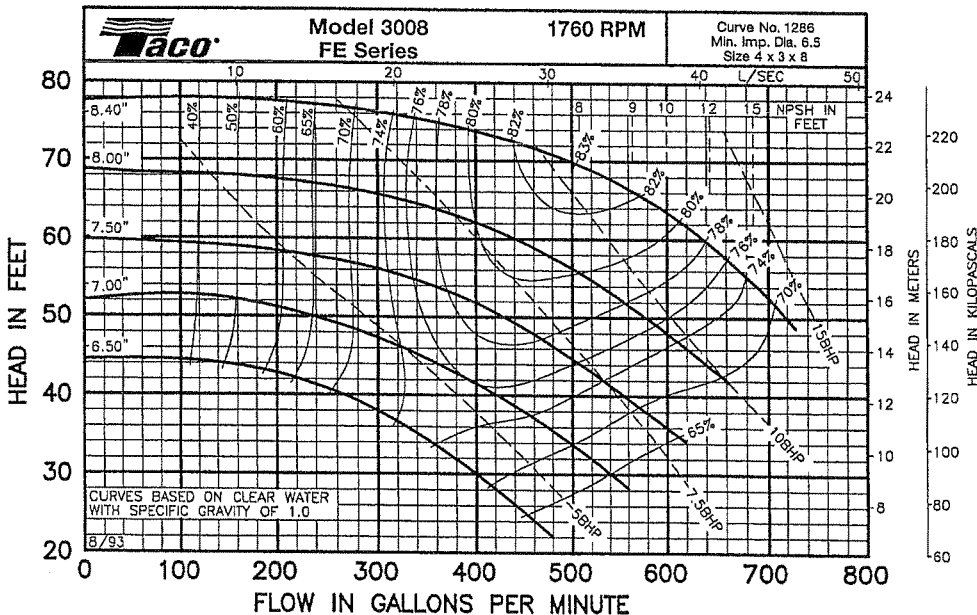
ITEM NO.	MODEL NO.	IMPELLER DIA.	G.P.M.	HEAD/FT.	H.P.	ELEC. CHARS.
----------	-----------	---------------	--------	----------	------	--------------



50 Cycle Performance Curves attached when applicable.

Model No.	HP	Motor Frame	A	B	C	D	E	F	J	K	N	P	R	S
3008	5	184T	4.72 (120)	9.64 (245)	23.17 (589)	54.00 (1372)	4.04 (103)	11.40 (290)	21.38 (543)	21.67 (550)	2.00 (51)	50.00 (1270)	3.00 (76)	4.00 (102)
	7.5	213T												
	10	215T												
	15	254T												

English dimensions are in inches. Metric dimensions are in millimeters. Metric data is presented in ().



Item	BRONZE FITTED		ALL IRON	
	Std. Pump Constr.	Optional	Standard	Optional
Casing	Cast Iron ASTM A48 Class 35	N/A	Cast Iron ASTM A48 Class 35	N/A
Impeller	Bronze ASTM B584-C836	CF	CF	CF
Wear Ring	Bronze ASTM B584-C836	CF	CF	CF
Shaft	Carbon Steel AISI 1045	St. Steel AISI 416 ASTM A582	Carbon Steel AISI 1045	St. Steel AISI 416 ASTM A582
Shaft Sleeve	Bronze SAE660 B584-C932	St. Steel AISI 303 ASTM A276	St. Steel AISI 303 ASTM A276	CF
Mech. Seal	Ceramic/EPT	Tungsten Carbide/EPT/Viton	Ceramic/EPT	Tungsten Carbide/EPT/Viton
Seal Flush Line	N/A	Copper	N/A	Stainless Steel

OPERATING SPECIFICATIONS		
	Standard	Optional
Pressure	175 PSIG*	CF
Temperature: Mechanical Seal	250°F	CF

Motors: All NEMA Standard (T or TS)
* in accordance with ANSI Standard B16.1 Class 125
CF - Consult Factory N/A - Not Available
Note: Variable speed applications, consult factory.

ADDITIONAL FEATURES	
Filters	Cuno 5 Micron
Separators	Kynar Cyclone Separator
Couplings	Spacer Type

Comments: _____

Do it Once. Do it Right.

TACO, INC., 1160 Cranston Street, Cranston, RI 02920 Telephone: (401) 942-8000 FAX: (401) 942-2360.
TACO (Canada), Ltd., 6180 Ordan Drive, Mississauga, Ontario L5T 2B3. Telephone: 905/564-9422. FAX: 905/564-9436.
Visit our web site at: <http://www.taco-hvac.com>

Printed In USA
Copyright 2000
TACO, Inc.



Submittal Data Information

FE Series Pumps

301-831

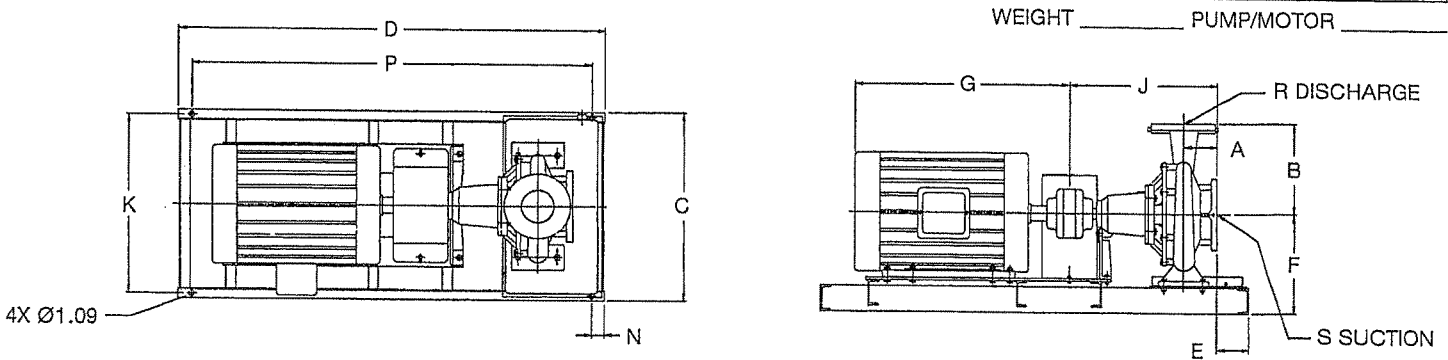
EFFECTIVE: October 6, 2000

SUPERSEDES: 301-831 December 1, 1999

1760 RPM MODEL 3010

JOB _____ ENGINEER _____ CONTRACTOR _____ REP. _____

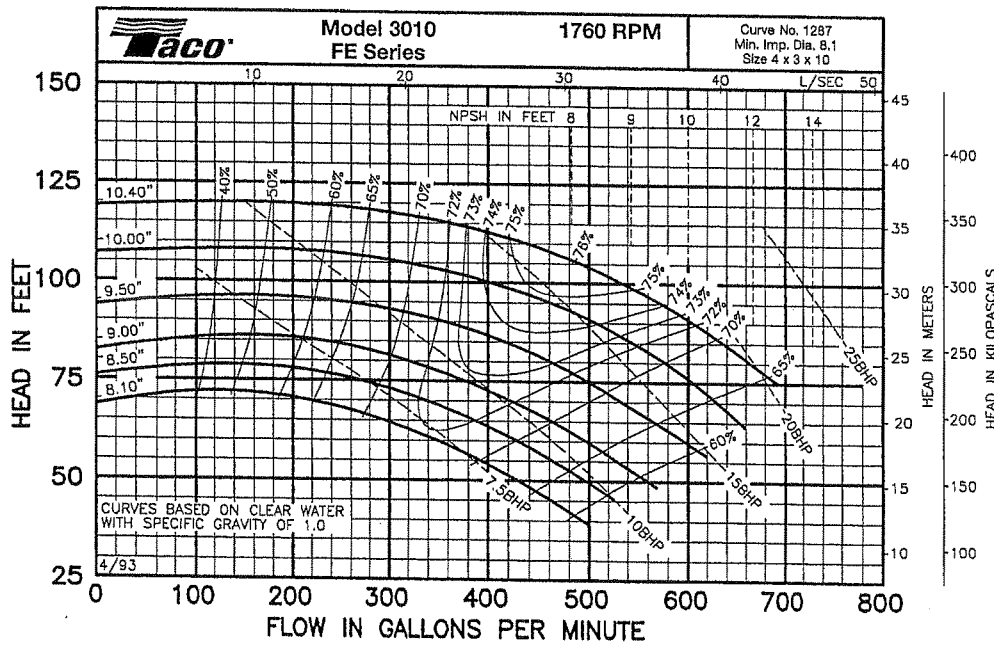
ITEM NO.	MODEL NO.	IMPELLER DIA.	G.P.M.	HEAD/FT.	H.P.	ELEC. CHARS.
----------	-----------	---------------	--------	----------	------	--------------



50 Cycle Performance Curves attached when applicable.

Model No.	HP	Motor Frame	A	B	C	D	E	F	J	K	N	P	R	S
3010	7.5	213T	4.72 (120)	10.83 (275)	23.17 (589)	54.00 (1372)	3.99 (101)	12.18 (309)	21.38 (543)	21.67 (550)	2.00 (51)	50.00 (1270)	3.00 (76)	4.00 (102)
	10	215T												
	15	254T												
	20	256T												
	25	284T												

English dimensions are in inches. Metric dimensions are in millimeters. Metric data is presented in ().



Item	BRONZE FITTED		ALL IRON	
	Std. Pump Constr.	Optional	Standard	Optional
Casing	Cast Iron ASTM A48 Class 35	N/A	Cast Iron ASTM A48 Class 35	N/A
Impeller	Bronze ASTM B584-C836	CF	CF	CF
Wear Ring	Bronze ASTM B584-C836	CF	CF	CF
Shaft	Carbon Steel AISI 1045	St. Steel AISI 416	Carbon Steel AISI 1045	St. Steel AISI 416
Shaft Sleeve	Bronze SAE660 B584-C932	St. Steel AISI 303	St. Steel AISI 303	CF
Mech. Seal	Ceramic/EPT	Tungsten Carbide/EPT/Viton	Ceramic/EPT	Tungsten Carbide/EPT/Viton
Seal Flush Line	N/A	Copper	N/A	Stainless Steel

OPERATING SPECIFICATIONS		
	Standard	Optional
Pressure	175 PSIG*	CF
Temperature: Mechanical Seal	250°F	CF

Motors: All NEMA Standard (T or TS)
 * In accordance with ANSI Standard B16.1 Class 125
 CF - Consult Factory N/A - Not Available
 Note: Variable speed applications, consult factory.

ADDITIONAL FEATURES	
Filters	Cuno 5 Micron
Separators	Kynar Cyclone Separator
Couplings	Spacer Type

Comments: _____

Do it Once. Do it Right.

TACO, INC., 1160 Cranston Street, Cranston, RI 02920 Telephone: (401) 942-8000 FAX: (401) 942-2360.
 TACO (Canada), Ltd., 6180 Ordan Drive, Mississauga, Ontario L5T 2B3. Telephone: 905/564-9422. FAX: 905/564-9436.
 Visit our web site at: <http://www.taco-hvac.com>

Printed in USA
 Copyright 2000
 TACO, Inc.



Submittal Data Information

FE Series Pumps

301-833

EFFECTIVE: October 6, 2000

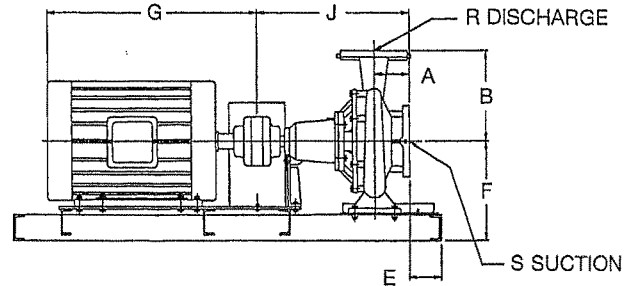
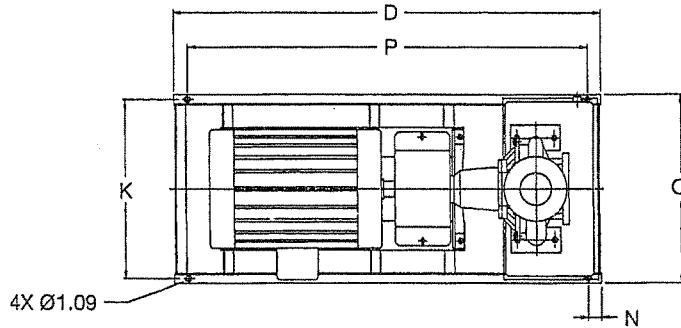
SUPERSEDES: 301-833 December 1, 1999

1760 RPM MODEL 4008

JOB _____ ENGINEER _____ CONTRACTOR _____ REP. _____

ITEM NO.	MODEL NO.	IMPELLER DIA.	G.P.M.	HEAD/FT.	H.P.	ELEC. CHARS.
----------	-----------	---------------	--------	----------	------	--------------

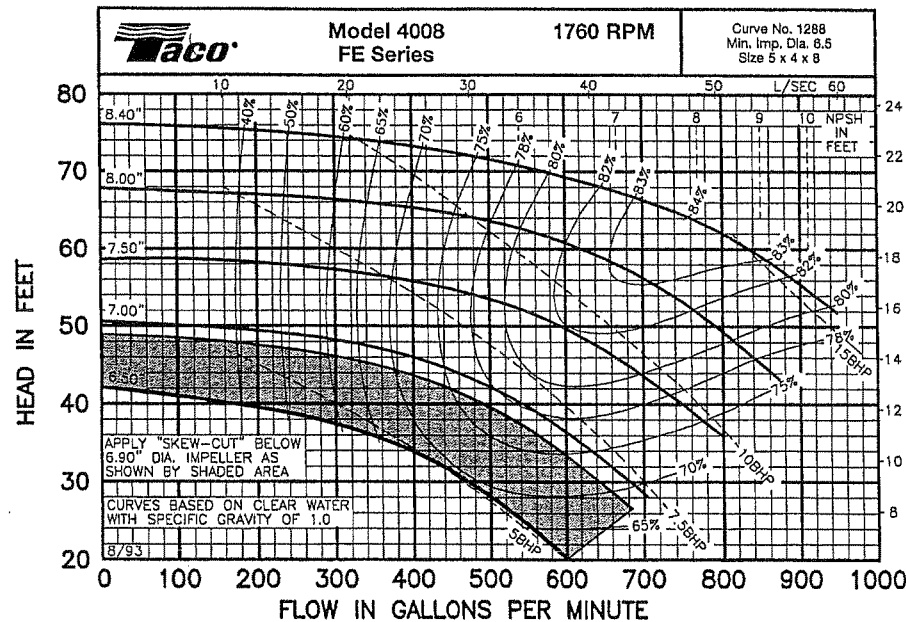
WEIGHT _____ PUMP/MOTOR _____



50 Cycle Performance Curves attached when applicable.

Model No.	HP	Motor Frame	A	B	C	D	E	F	J	K	N	P	R	S
4008	5	184T	4.72 (120)	10.83 (275)	23.17 (589)	54.00 (1372)	5.02 (128)	12.18 (309)	21.38 (543)	21.67 (550)	2.00 (51)	50.00 (1270)	4.00 (102)	5.00 (127)
	7.5	213T												
	10	215T												
	15	254T												
	20	256T												

English dimensions are in inches. Metric dimensions are in millimeters. Metric data is presented in ().



Item	BRONZE FITTED		ALL IRON	
	Std. Pump Constr.	Optional	Standard	Optional
Casing	Cast Iron ASTM A48 Class 35	N/A	Cast Iron ASTM A48 Class 35	N/A
Impeller	Bronze ASTM B584-C836	CF	CF	CF
Wear Ring	Bronze ASTM B584-C836	CF	CF	CF
Shaft	Carbon Steel AISI 1045	St. Steel AISI 416 ASTM A582	Carbon Steel AISI 1045	St. Steel AISI 416 ASTM A582
Shaft Sleeve	Bronze SAE660 B584-C932	St. Steel AISI 303 ASTM A276	St. Steel AISI 303 ASTM A276	CF
Mech. Seal	Ceramic/EPT	Tungsten Carbide/EPT/Viton	Ceramic/EPT	Tungsten Carbide/EPT/Viton
Seal Flush Line	N/A	Copper	N/A	Stainless Steel

OPERATING SPECIFICATIONS		
	Standard	Optional
Pressure	175 PSIG*	CF
Temperature: Mechanical Seal	250°F	CF

Motors: All NEMA Standard (T or TS)
 * In accordance with ANSI Standard B16.1 Class 125
 CF - Consult Factory N/A - Not Available
 Note: Variable speed applications, consult factory.

ADDITIONAL FEATURES	
Filters	Cuno 5 Micron
Separators	Kynar Cyclone Separator
Couplings	Spacer Type

Comments: _____

Do it Once. Do it Right.

TACO, INC., 1160 Cranston Street, Cranston, RI 02920 Telephone: (401) 942-8000 FAX: (401) 942-2360.
 TACO (Canada), Ltd., 6180 Ordan Drive, Mississauga, Ontario L5T 2B3. Telephone: 905/564-9422. FAX: 905/564-9436.
 Visit our web site at: <http://www.taco-hvac.com>

Printed in USA
 Copyright 2000
 TACO, Inc.



Submittal Data Information

FE Series Pumps

301-849

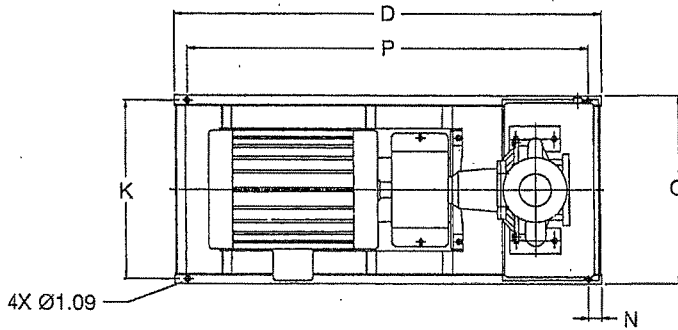
EFFECTIVE: October 6, 2000

SUPERSEDES: 301-849 December 1, 1999

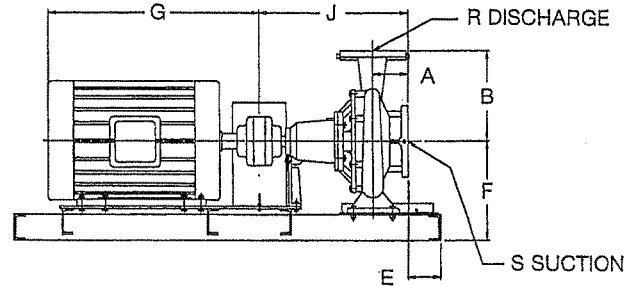
3500 RPM MODEL 2007

JOB _____ ENGINEER _____ CONTRACTOR _____ REP. _____

ITEM NO.	MODEL NO.	IMPELLER DIA.	G.P.M.	HEAD/FT.	H.P.	ELEC. CHARS.
----------	-----------	---------------	--------	----------	------	--------------



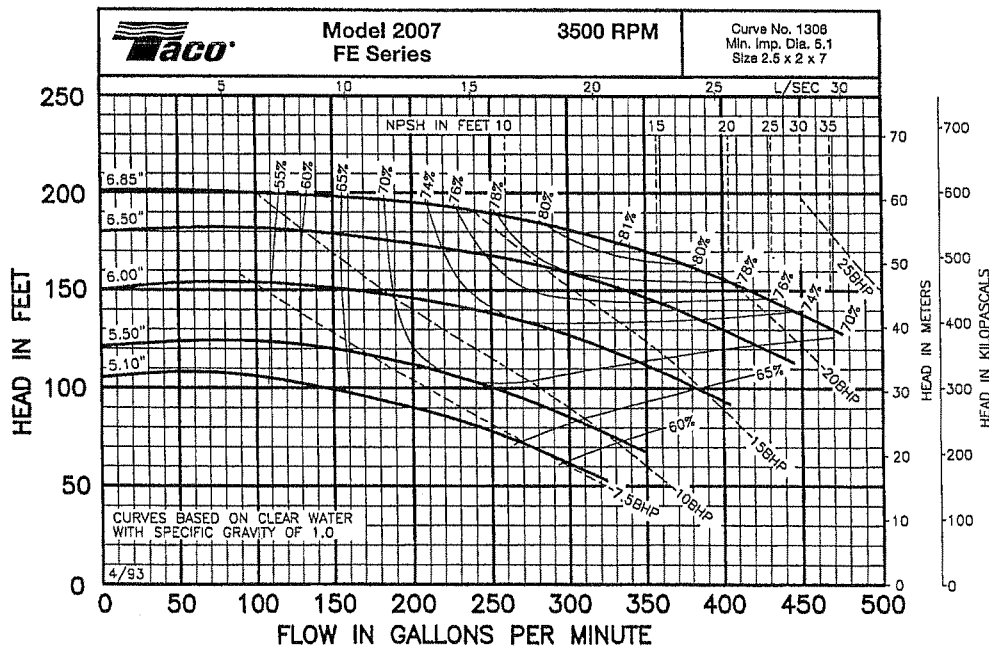
WEIGHT _____ PUMP/MOTOR _____



50 Cycle Performance Curves attached when applicable.

Model No.	HP	Motor Frame	A	B	C	D	E	F	J	K	N	P	R	S
2007	7.5	184T	3.74 (95)	6.89 (175)	21.17 (538)	42.00 (1067)	4.15 (105)	10.61 (269)	16.42 (417)	19.67 (500)	2.00 (51)	38.00 (965)	2.00 (51)	2.50 (64)
	10	213T	3.74 (95)	6.89 (175)	21.17 (538)	46.00 (1168)	4.15 (105)	10.61 (269)	16.42 (417)	19.67 (500)	2.00 (51)	42.00 (1067)	2.00 (51)	2.50 (64)
	15	215T												
	20	254T												
	25	256T												

English dimensions are in inches. Metric dimensions are in millimeters. Metric data is presented in ().



Item	BRONZE FITTED		ALL IRON	
	Std. Pump Constr.	Optional	Standard	Optional
Casing	Cast Iron ASTM A48 Class 35	N/A	Cast Iron ASTM A48 Class 35	N/A
Impeller	Bronze ASTM B584-C836	CF	CF	CF
Wear Ring	Bronze ASTM B584-C836	CF	CF	CF
Shaft	Carbon Steel AISI 1045	St. Steel AISI 416 ASTM A582	Carbon Steel AISI 1045	St. Steel AISI 416 ASTM A582
Shaft Sleeve	Bronze SAE660 B584-C932	St. Steel AISI 303 ASTM A276	St. Steel AISI 303 ASTM A276	CF
Mech. Seal	Ceramic/EPT	Tungsten Carbide/EPT/Viton	Ceramic/EPT	Tungsten Carbide/EPT/Viton
Seal Flush Line	N/A	Copper	N/A	Stainless Steel

OPERATING SPECIFICATIONS		
	Standard	Optional
Pressure	175 PSIG*	CF
Temperature: Mechanical Seal	250°F	CF

Motors: All NEMA Standard (T or TS)
 * in accordance with ANSI Standard B16.1 Class 125
 CF - Consult Factory N/A - Not Available
 Note: Variable speed applications, consult factory.

ADDITIONAL FEATURES	
Filters	Cuno 5 Micron
Separators	Kynar Cyclone Separator
Couplings	Spacer Type

Comments: _____

Do it Once. Do it Right.

TACO, INC., 1160 Cranston Street, Cranston, RI 02920 Telephone: (401) 942-8000 FAX: (401) 942-2360.
 TACO (Canada), Ltd., 6180 Ordan Drive, Mississauga, Ontario L5T 2B3. Telephone: 905/564-9422. FAX: 905/564-9436.
 Visit our web site at: <http://www.taco-hvac.com>

Printed in USA
 Copyright 2000
 TACO, Inc.

